

REVISION R

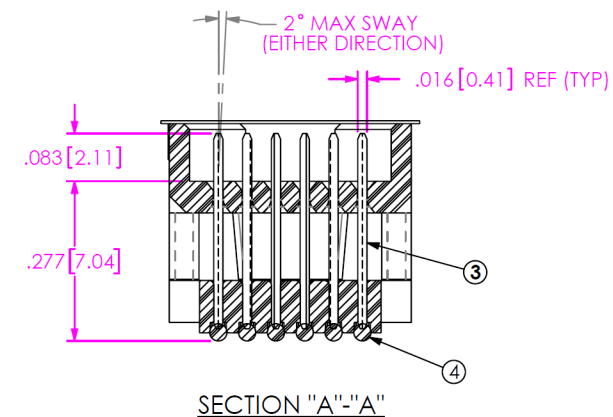
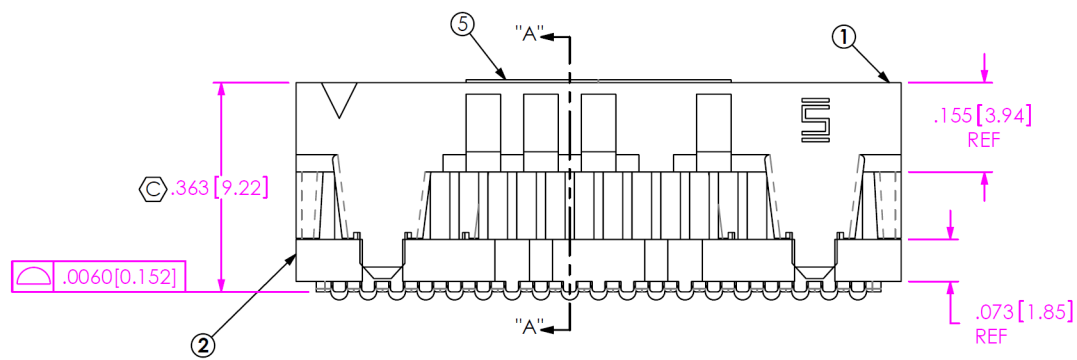
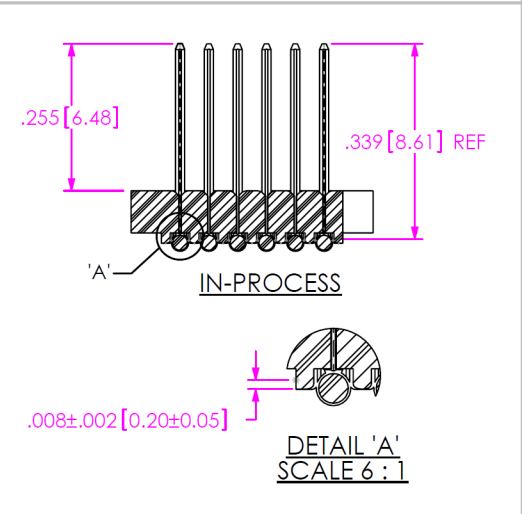
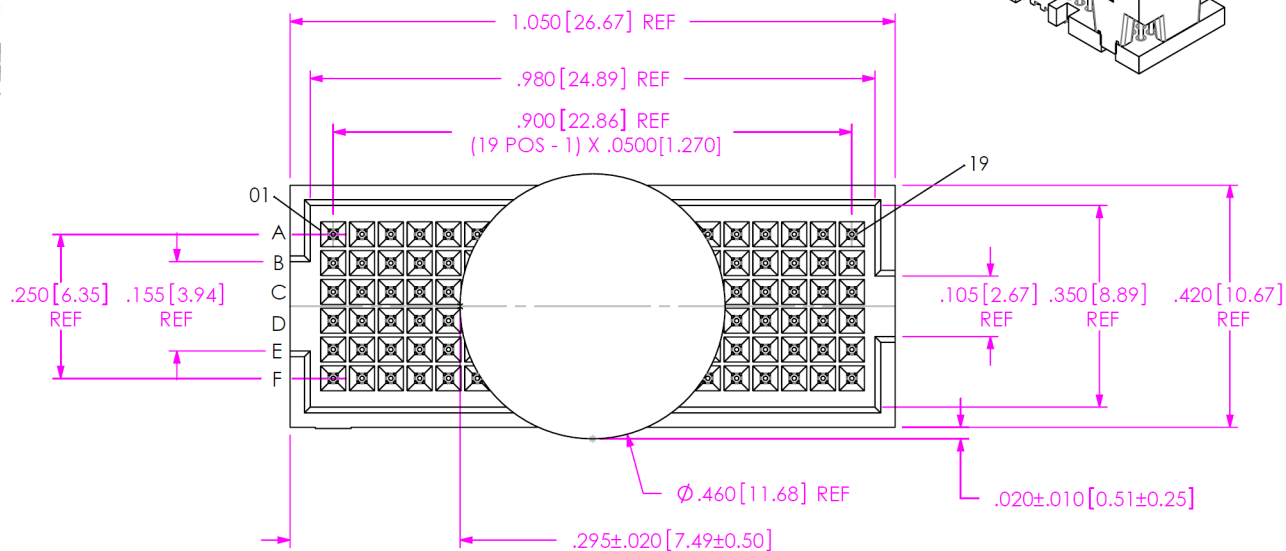
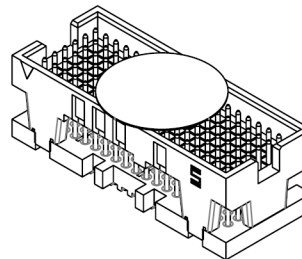
NOTES:

1. CUSTOM FOR VARIATION OF VITA 42 XMC STANDARD & ITEMS -1, -2, & -3 NOT AVAILABLE AS STANDARD.
2. Ⓞ REPRESENTS A CRITICAL DIMENSION.
3. MAXIMUM BURR ALLOWANCE: .0015[0.038]
4. MAXIMUM CUT FLASH: .010[0.25]
5. MINIMUM PUSHOUT FORCE: .5 LB
6. MAXIMUM ALLOWABLE BOW; TOP/BOTTOM: .004[0.10], SIDE/SIDE: .003[0.08].
7. PARTS TO BE PACKAGED IN TAPE & REEL. FOR QTY'S LESS THAN 125 PCS, NO TRAILER OR LEADER WILL BE SUPPLIED.

DO NOT SCALE FROM THIS PRINT



ANY REV MADE TO THIS PRINT MUST HAVE AN UPDATED MKT PRINT



ITEM NO.	PART NUMBER	QTY	MATERIAL
1	ASP-103598-01-B	1.0000	UL 94 V0, COLOR: BLACK
2	ASP-103599-01-B	1.0000	UL 94 V0, COLOR: BLACK
3	ASP-104554-02-P-H	114.00	BRASS ALLOY 260, 3/4 HARD
4	SBD-030-6337	114.00	63% TIN /37% LEAD
5	K-850-650	1.0000	POLYIMIDE FILM
6	CT-ASP1134MS	.0057	CONDUCTIVE POLYMER

UNLESS OTHERWISE SPECIFIED, DIMENSIONS ARE IN INCHES.

TOLERANCES ARE:

DECIMALS: .XX: ±.01[0.3]  
 .XXX: ±.005[0.13]  
 .XXXX: ±.0020[0.051]

ANGLES: 2°

PROPRIETARY NOTE: THIS DOCUMENT CONTAINS CONFIDENTIAL AND PROPRIETARY INFORMATION AND ALL DESIGN, MANUFACTURING, REPRODUCTION, USE, PATENT RIGHTS AND SALES RIGHTS ARE EXPRESSLY RESERVED BY SAMTEC, INC. THIS DOCUMENT SHALL NOT BE DISCLOSED, IN WHOLE OR PART, TO ANY UNAUTHORIZED PERSON OR ENTITY NOR REPRODUCED, TRANSFERRED OR INCORPORATED IN ANY OTHER PROJECT IN ANY MANNER WITHOUT THE EXPRESS WRITTEN CONSENT OF SAMTEC, INC.

DO NOT SCALE DRAWING SHEET SCALE: 3:1

PLATING ON ENTIRE TERMINAL:  
 .000030 GOLD OVER .000050 NICKEL

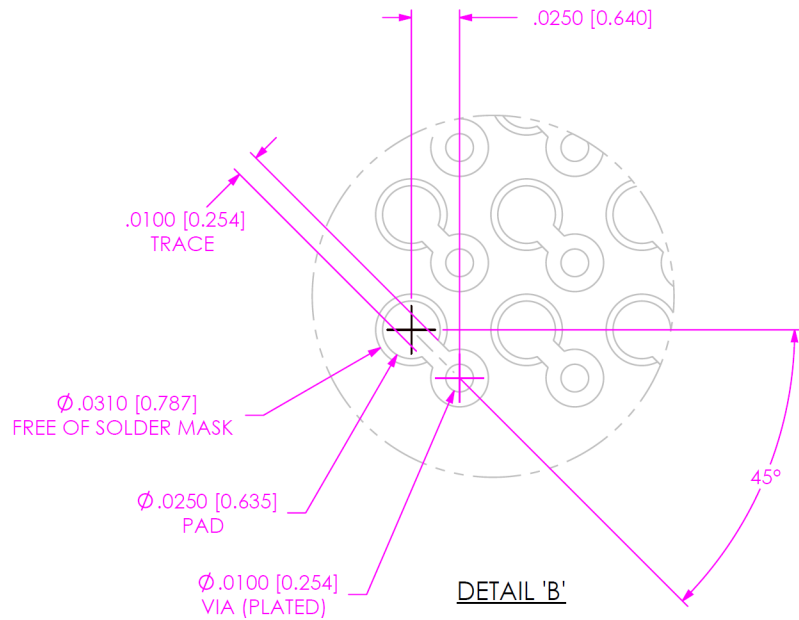
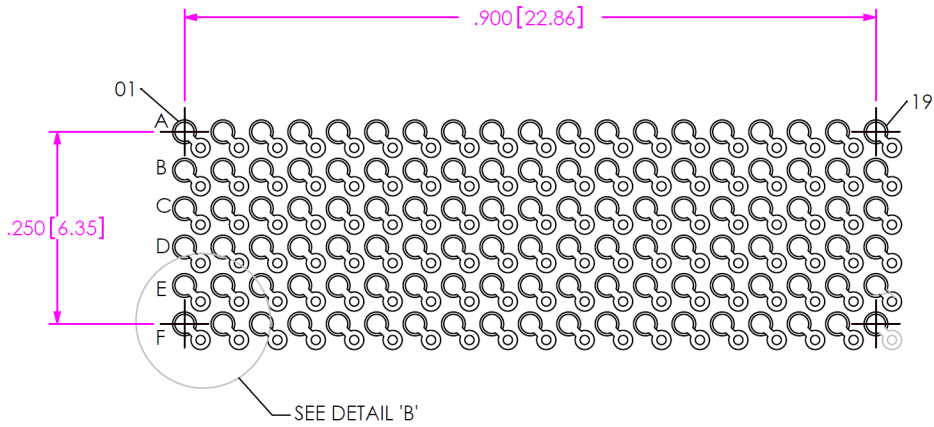
F:\DWG\MISC\MKTG\ASP-103614-01-MKT.SLDDRW

**samtec**  
 520 PARK EAST BLVD, NEW ALBANY, IN 47150  
 PHONE: 812-944-6733 FAX: 812-948-5047  
 e-Mail: info@SAMTEC.com code 55322

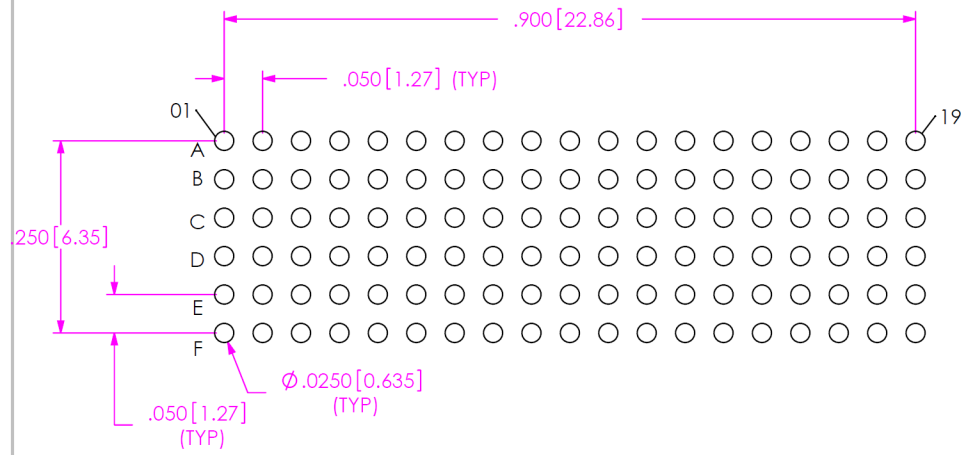
DESCRIPTION: VITA 42 (LEADED) 10MM MATED SOCKET ASSEMBLY

DWG. NO. ASP-103614-01

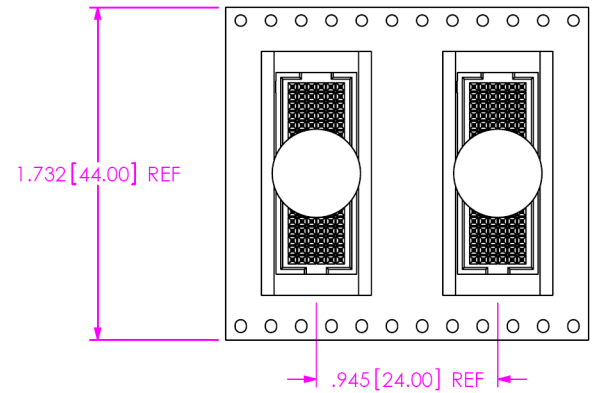
BY: CLAY W 10/18/2002 SHEET 1 OF 2



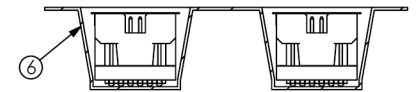
RECOMMENDED BOARD LAYOUT



RECOMMENDED STENCIL LAYOUT  
STENCIL TO BE .0060 [0.152] THICK



USER DIRECTION OF UN-REELING POCKET NOT DETAILED



PACKAGING VIEW



**PROPRIETARY NOTE**  
THIS DOCUMENT CONTAINS CONFIDENTIAL AND PROPRIETARY INFORMATION AND ALL DESIGN, MANUFACTURING, REPRODUCTION, USE, PATENT RIGHTS AND SALES RIGHTS ARE EXPRESSLY RESERVED BY SAMTEC, INC. THIS DOCUMENT SHALL NOT BE DISCLOSED, IN WHOLE OR PART, TO ANY UNAUTHORIZED PERSON OR ENTITY NOR REPRODUCED, TRANSFERRED OR INCORPORATED IN ANY OTHER PROJECT IN ANY MANNER WITHOUT THE EXPRESS WRITTEN CONSENT OF SAMTEC, INC.

**samtec**

520 PARK EAST BLVD, NEW ALBANY, IN 47150  
PHONE: 812-944-6733 FAX: 812-948-5047  
e-Mail: info@SAMTEC.com code 55322

SHEET SCALE: 4:1

DESCRIPTION:  
VITA 42 (LEADED) 10MM MATED SOCKET ASSEMBLY

DWG. NO.  
ASP-103614-01