



POWERMATE®

(4.19 mm) .165"

IPBD-02-D-K

IPBD-05-S-K

IPBT-105-H2-T-D-K

CC69L-2024-01-T-SP

IPBD, CC69L, CC69R, IPBT SERIES

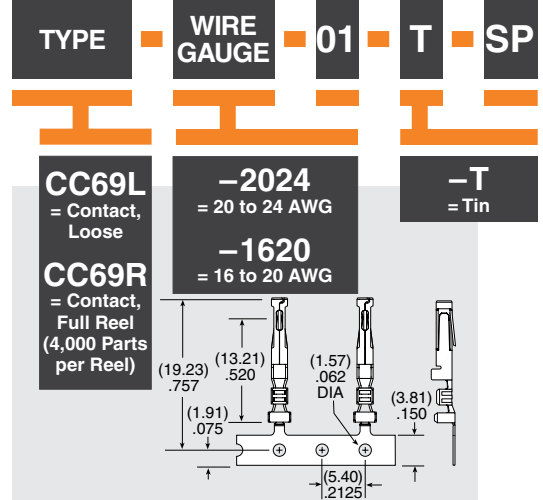
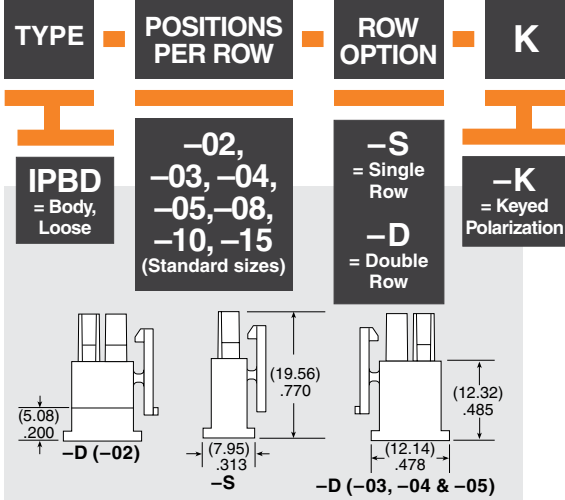
DISCRETE WIRE CABLE COMPONENTS

SPECIFICATIONS

Insulator Material (IPBD):
Black Liquid Crystal Polymer
Contact Material (CC69):
High Copper Alloy

TOOLING

- Hand tool (16-20 AWG):
CAT-HT-169-1620-13
- Hand tool (20-24 AWG):
CAT-HT-169-2024-13
- Mini Applicator (16-20 AWG):
CAT-MA-169-1620-XX-01
- Mini Applicator (20-24 AWG):
CAT-MA-169-2024 XX-01
- Extraction Tool:
CAT-EX-169-01



Board Mates:
IPBS

Cable Mates:
PMSD, PMSS

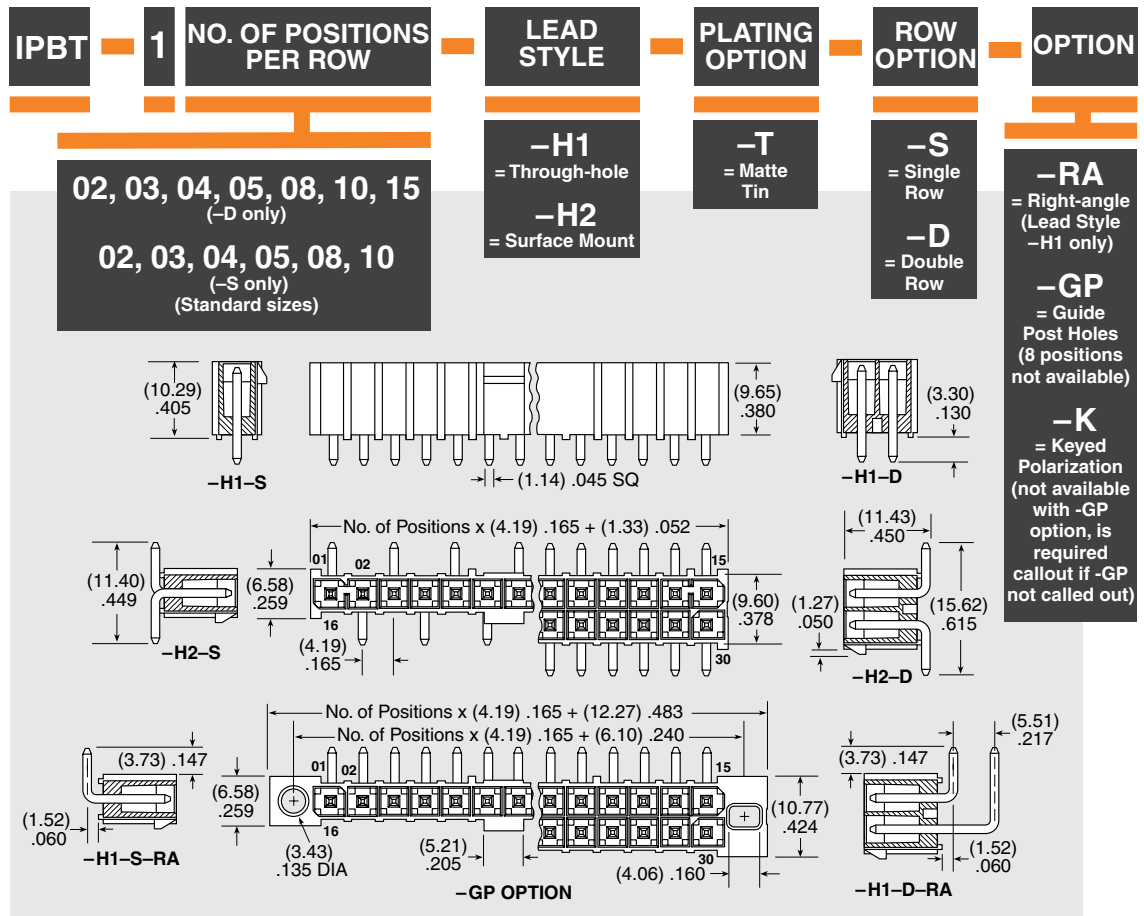
SPECIFICATIONS

Insulator Material:
Black Liquid Crystal Polymer
Contact Material:
High Copper Alloy
Plating:
Sn over 50 μ" (1.27 μm) Ni
Operating Temp Range:
-55 °C to +105 °C
Voltage Rating:
400 VAC/565 VDC
RoHS Compliant:
Yes
Lead-Free Solderable:
Yes

RECOGNITIONS



Note:
Some lengths, styles and options are non-standard, non-returnable.



Due to technical progress, all designs, specifications and components are subject to change without notice.

WWW.TOBY.CO.UK

All parts within this catalog are built to Samtec's specifications. Customer specific requirements must be approved by Samtec and identified in a Samtec customer-specific drawing to apply.