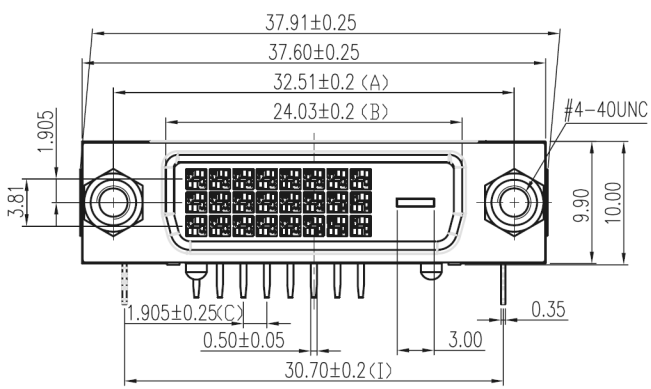
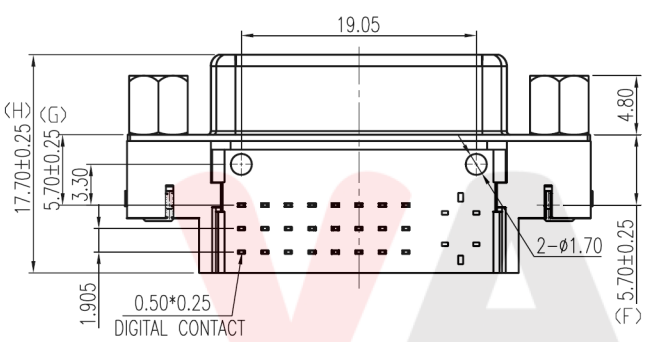


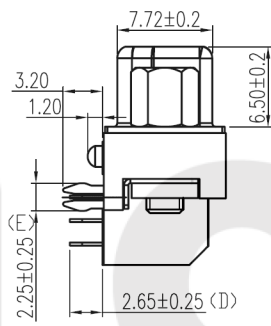
E



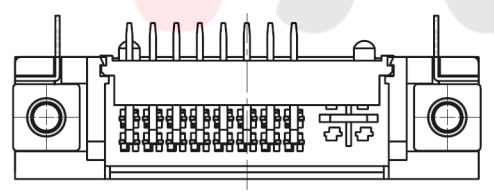
D



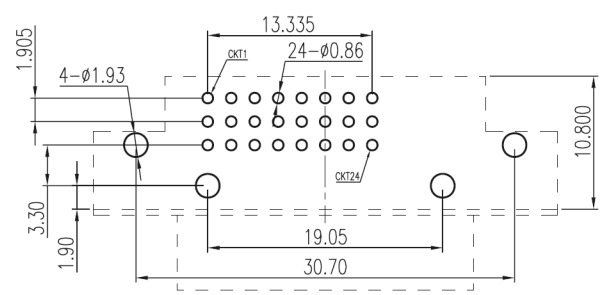
C



B



A



RECOMMENDED P.C.B LAYOUT  
INSPECTION DIMENSION:(A)~(H)

SPECIFICATIONS

- 1.1 Voltage: 40 VAC(RMS) Max.
- 1.2 Current Rating: 1.5 Ampere per Contact
- 1.3 Contact Resistance: 20 Milliohms Max.
- 1.4 Insulation Resistance: 1000 Megohms Min.
- 1.5 Dielectric Withstanding Voltage: 500V DC(RMS)
- 1.6 Total Mating Force: 4.5 Kgf Max.
- 1.7 Total Unmating Force: 1.0 Kgf Min.
- 1.8 Operating Temperature: -55°C to +85°C

NOTES

- 1. MATERIAL:  
Housing:PBT, UL 94V-0, Color:Ivory.  
Latch:PA66, UL 94V-0, Color:Ivory.  
Terminal:Copper Alloy.  
Shell:SPCC.  
Boardlock:Steel.  
Rivet:Copper Alloy.  
Screw:Copper Alloy.
- 2. FINISH:  
Terminal:Gold Plated over Nickel at Contact Area.  
Tin Plated over Nickel at Solder Ared.  
Shell:Nickel Plated.  
Boardlock:Tin Plated.  
Rivet:Nickel Plated.  
Screw:Nickel Plated.
- 3. This Product is LEAD-FREE & RoHS Compliance Product.

Ordering Information for 3JL-2XS-4244 Series

Part Number	Connector Type
3JL-25S-4244	Digital Interface
	DVI (24+1) Female

QUALITY VALUE COMPONENTS

				3JL-2XS-4244 Series			
A0		An issue.		2010.08.18			
REV.		CONTENTS		DATE		Title: <u>DVI3 SERIES</u>	
		Drawn		Shao Jianfeng		DVI-D RIGHT ANGLE	
		Designed		He Wei			
		Approval		Lee JIun De			
UNLESS OTHERWISE SPECIFIED TOLERANCE		Scale		1:1		File NO.	
mm: .00 = ±0.25		SHEET		1		Drawing NO.	
.000 = ±0.13		Units		mm			
Ang: 0.0 = ±2°							

E

E

D

D

C

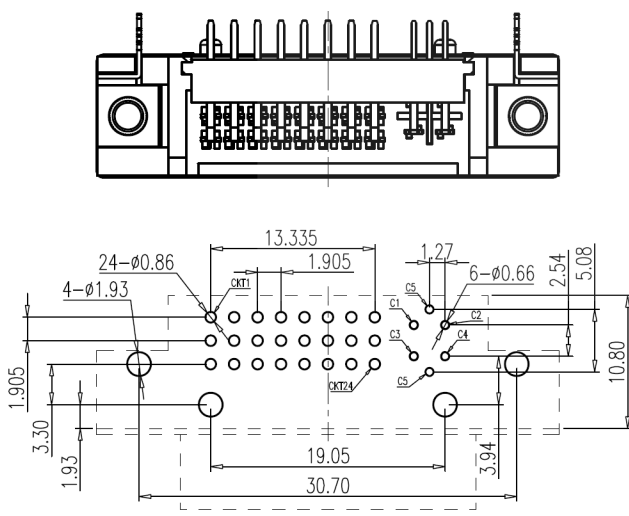
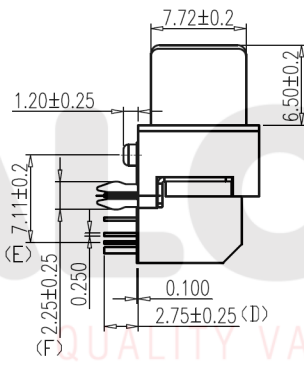
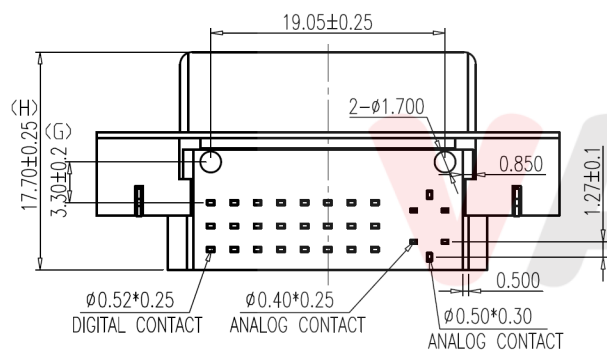
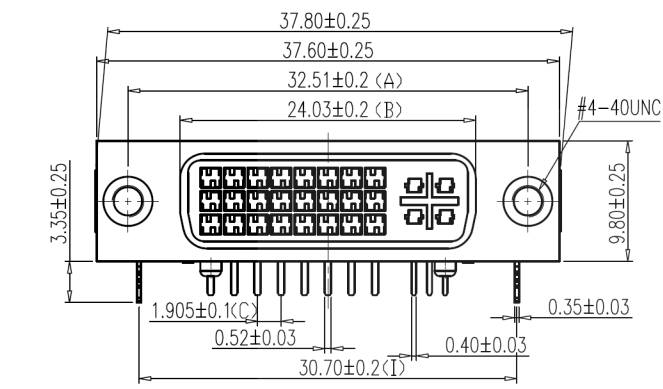
C

B

B

A

A



RECOMMENDED P.C.B LAYOUT  
INSPECTION DIMENSION:(A)~(H)

SPECIFICATIONS

- 1. DVI-I
- 1.1 Voltage: 40 VAC(RMS) Max.
- 1.2 Current Rating: 1.5 Ampere per Contact
- 1.3 Contact Resistance: 20 Milliohms Max.
- 1.4 Insulation Resistance: 1000 Megohms Min.
- 1.6 Total Mating Force: 4.5 Kgf Max.
- 1.7 Total Unmating Force: 1.0 Kgf Min.
- 1.8 Operating Temperature: -55°C to +85°C

NOTES

- 1. MATERIAL:  
Housing:PBT, UL 94V-0, Color:Ivory.  
Latch:PA66, UL 94V-0, Color:Ivory.  
Terminal:Copper Alloy.  
Shell:SPCC.  
  
Rivet:Copper Alloy.  
Screw:Copper Alloy.
- 2. FINISH:  
Terminal:Gold Plated over Nickel at Contact Area.  
Tin Plated over Nickel at Solder Area.  
  
Boardlock:Tin Plated.  
Rivet:Nickel Plated.
- 3. This Product is LEAD-FREE & RoHS Compliance Product.

Ordering Information for 3JL-2XS-4244 Series

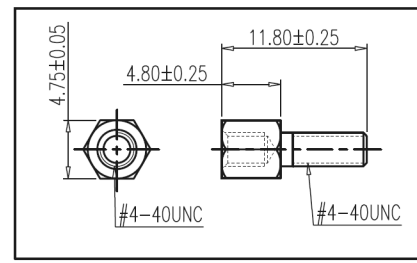
Part Number

Connector Type

3JL-29S-4244

Digital/Analogue Interface

DVI (24+5) Female



4.8x11.8 SCREW

				3JL-2xS-4244 Series	
A0	An Issue.		2011.04.22		
REV.	CONTENTS		DATE		
				Title:	
				DVI-I RIGHT ANGLE	
UNLESS OTHERWISE SPECIFIED TOLERANCE mm: .00 = ±0.25 .000 = ±0.13 Ang: 0.0 = ±2°	Drawed	Shao Jianfeng		File NO.	
	Designed	He Wei		Drawing NO.	
	Approval	Lee Jun De			
	Scale	1:1	Size	A4	
SHEET	1	Units	mm		