

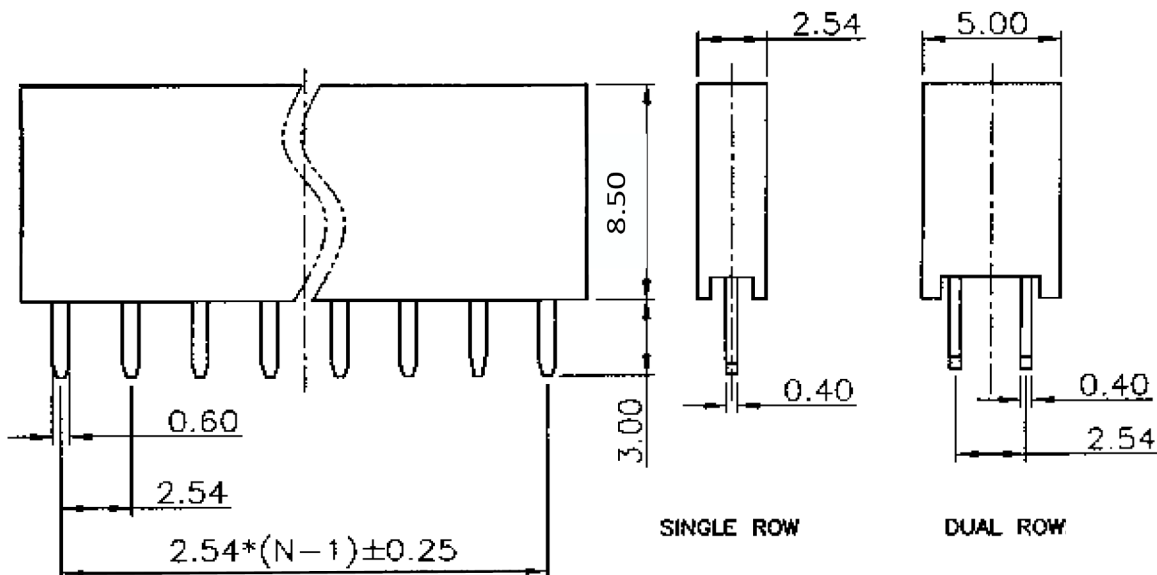
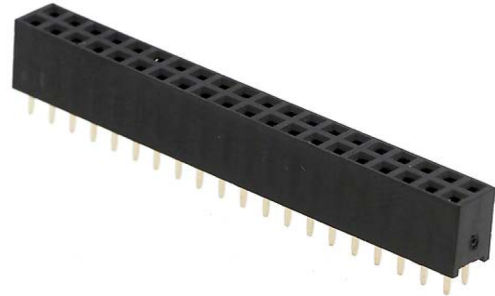
2.54mm Pitch Through Board Single and Dual Row 8.5mm Profile PCB Socket

V06-XxYY-SV-GF-1 Series

Single & Dual row - 8.5mm PCB profile

Gold Flash plated contacts and PCB tails

Mates with most Toby 2.54mm pitch pin headers



Ordering information

V06-XxYY-SV-GF-1

1 2

Option 1 (X) Number of rows

1 = Single Row

2 = Dual Row

Option 2 (YY) Number of positions

02 ~ 40

eg: 1x40 = 40 contacts in total

2x40 = 80 contacts in total

Specification for V06 Series

Contact Resistance:	20mΩ Max. Initial
DWV:	500V AC(rms) for 1 minute
Insulation Resistance:	1000MΩ Min.
Contact Retention:	500gf Min.
Temperature Range:	-40°C ~ +105°C