

M8

0810 0805 ... 3...

Actuator/Sensor Cordsets M8



Actuator/sensor cordset with overmolded connectors

Cable end 1:

M8 male, straight, A-coded, IP67

Cable end 2:

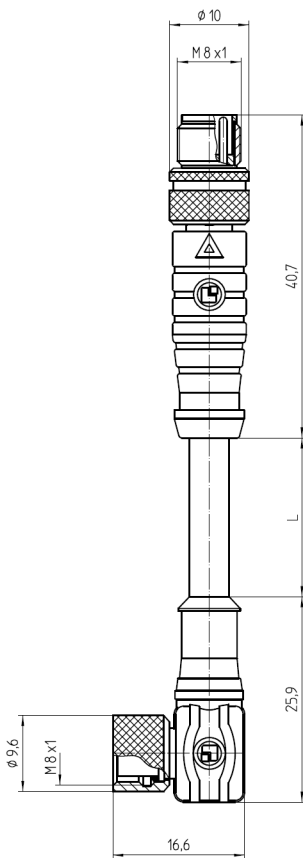
M8 female, angled, A-coded, IP67

Cable:

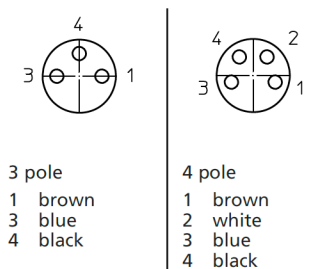
PUR, black

Approvals:  US pending

M8 0810 0805 ... 3...



Pin assignments for female M8 connectors, A-coded



Environmental conditions

Temperature range -25 °C/+80 °C

Materials

Insulating body	TPU GF, HB according to UL94
Contact bush	CuZn, pre-nickel and gold-plated
Contact pin	CuZn, pre-nickel and gold-plated
Overmolding/handle	TPU ¹
Knurled screw	CuZn, nickel-plated
Knurled nut	CuZn, nickel-plated
Seal	FKM

¹ material halogen-free

Mechanical data

Mating cycles	≥ 100
Insertion force	≤ 23 N ¹
Withdrawal force	≤ 23 N ¹
Protection class	IP67 ²

¹ measured with a proper counterpart

² according to IEC DIN EN 60529, only in locked condition with an appropriate counterpart

Connected cable

Construction PUR, black

Electrical data (at T_{amb} 20 °C)

Contact resistance	≤ 10 mΩ
Rated current	4 A (T _{amb} 40 °C)
Rated voltage	50 V AC/60 V DC (with pollution degree 3)
Rated impulse voltage	1,5 kV
Material group	I (IEC)/0 (UL) (CTI = 600)
Insulation resistance	> 100 MΩ

Associated products

Counterparts

☞ 0800 ... 0...	☞ 0800 ... 3...	☞ 0800F1 ... 0...
☞ 0800F1 ... 3...	☞ 0805 ... 0...	☞ 0805F1 ... 0...
☞ 0806 ... L1 0...	☞ 0806 ... L1 3...	☞ 0820 ... T8CW ...
☞ 0821 ... T10CP	☞ 1210 0800 ... 3...	☞ 1210 0806 ... L1 3...
☞ 5000 04L1 3...	☞ 5000 08L1 3...	☞ 5000 10L1 3...
☞ 5012 04L1	☞ 5012 08L1	☞ 5012 10L1

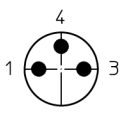


THE VITAL COMPONENT

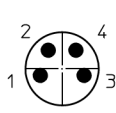
M8

0810 0805 ... 3...

Pin assignments for male M8 connectors, A-coded



- 3 pole
1 brown
3 blue
4 black



- 4 pole
1 brown
2 white
3 blue
4 black

- [6157 8055 S01 4W](#) [6157 8055 S03 8W](#) [6157 8055 S06 16W](#)
[6157 8055 S09 24W](#)

Accessories

- [9908 CPFO](#) [9908 CPM0](#)



THE VITAL COMPONENT

M8 0810 0805 ... 3...

Designation	Pole Number	Connected Cable	PU (Pieces)	MDQ (Pieces)	Dimensions L (mm)
0810 0805 04 301 0,6m	4	PUR, black, 4 x 0.34 mm ² (AWG 22), 910301, UL-style 20549	5	10	600
0810 0805 04 301 1,5m	4	PUR, black, 4 x 0.34 mm ² (AWG 22), 910301, UL-style 20549	5	10	1500
0810 0805 04 301 2m	4	PUR, black, 4 x 0.34 mm ² (AWG 22), 910301, UL-style 20549	5	10	2000
0810 0805 04 301 5m	4	PUR, black, 4 x 0.34 mm ² (AWG 22), 910301, UL-style 20549	1	10	5000

Packaging:
in a plastic bag