

M8 0821 ... T10CP

Panel Mount Connectors M8

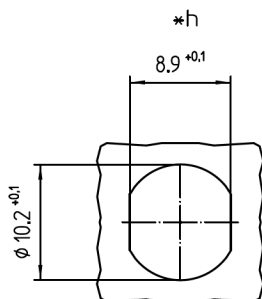
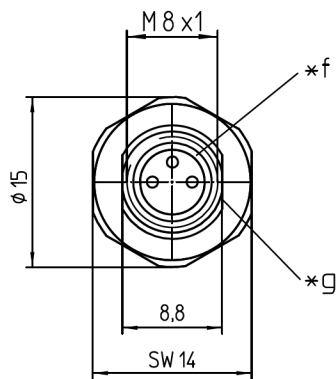
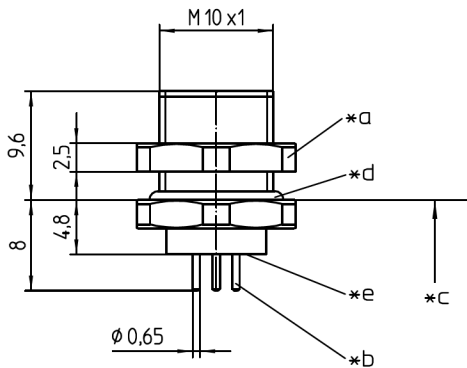


M8 panel mount connector, female, A-coded, IP67, for rear side mounting, thread M10, for printed circuit boards

Approvals:  pending

M8

0821 ... T10CP



Environmental conditions

Temperature range -25 °C/+80 °C

Materials

| | |
|-----------------|----------------------------------|
| Insulating body | PA |
| Contact bush | CuZn, pre-nickel and gold-plated |
| Hexagonal nut | CuZn, nickel-plated |
| Seal | FKM |

Mechanical data

| | |
|------------------|-----------------------|
| Mating cycles | ≥ 100 |
| Insertion force | $\leq 23 \text{ N}^1$ |
| Withdrawal force | $\leq 23 \text{ N}^1$ |
| Protection class | IP67 ² |





¹ measured with a proper counterpart

² according to IEC DIN EN 60529, only in locked condition with an appropriate counterpart

Electrical data (at $T_{\text{amb}} 20 \text{ °C}$)

| | |
|-----------------------|-------------------------------------------|
| Contact resistance | $\leq 10 \text{ m}\Omega$ |
| Rated current | 4 A ($T_{\text{amb}} 40 \text{ °C}$) |
| Rated voltage | 50 V AC/60 V DC (with pollution degree 3) |
| Rated impulse voltage | 1,5 kV |
| Material group | I (IEC)/0 (UL) (CTI = 600) |
| Insulation resistance | $> 100 \text{ M}\Omega$ |

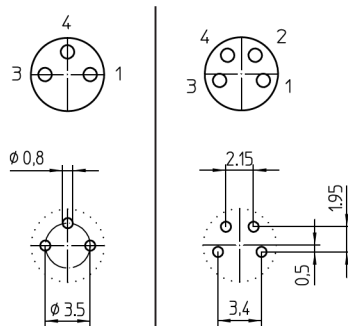
Associated products

Counterparts
 0810 ... 0...  0810 0800 ... 3...  0810 0805 ... 3...
 0810 0806 ... L13...

M8

0821 ... T10CP

Pin assignment and printed circuit board layouts for female M8 connectors, A-coded



- *a nut
- *b solder pin for bore hole in printed circuit board \varnothing 0.8 mm
- *c mounting direction
- *d O-ring gasket
- *e contact area potted
- *f O-ring gasket
- *g anti-rotation
- *h port in mounting plate



THE VITAL COMPONENT

M8

0821 ... T10CP

| Designation | Pole Number | Connected Cable | PU (Pieces) | MDQ (Pieces) |
|---------------|-------------|-----------------|-------------|--------------|
| 0821 03 T10CP | 3 | | 10 | 10 |
| 0821 04 T10CP | 4 | | 10 | 10 |

Packaging:

in a plastic bag