

M12

1205 ... 3...

## Actuator/Sensor Cordsets M12



Actuator/sensor cordset with overmolded connector

**Cable end 1:**

M12 female, angled, A-coded, IP67

**Cable end 2:**

blunt cut

**Cable:**

PUR, black

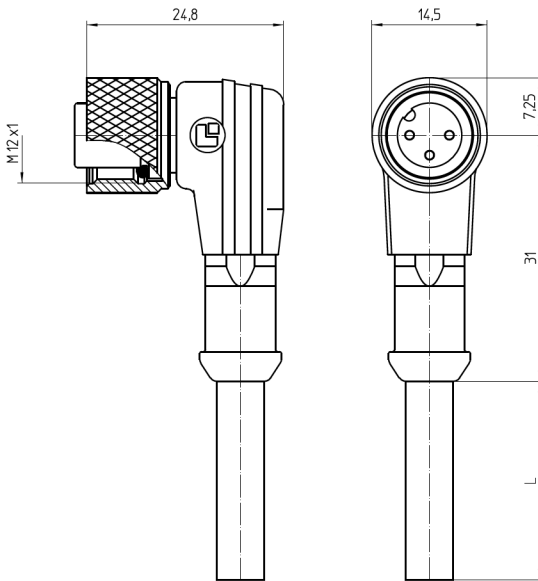
---

Approvals:



M12

1205 ... 3...



#### Environmental conditions

Temperature range -25 °C/+80 °C

#### Materials

Insulating body TPU GF, HB according to UL94  
 Contact bush CuZn, pre-nickel and gold-plated  
 Overmolding/handle TPU<sup>1</sup>  
 Knurled nut CuZn, nickel-plated  
 Seal FKM

<sup>1</sup> material halogen-free

#### Mechanical data

Mating cycles  $\geq 100$   
 Insertion force  $\leq 10$  N (4-5 poles)  
 $\leq 23$  N (8 poles)<sup>1</sup>  
 Withdrawal force  $\leq 15$  N (4-5 poles)  
 $\leq 30$  N (8 poles)<sup>1</sup>

Protection class IP67<sup>2</sup>

<sup>1</sup> measured with a proper counterpart

<sup>2</sup> according to IEC DIN EN 60529, only in locked condition with an appropriate counterpart

#### Connected cable

Construction PUR, black

#### Electrical data (at T<sub>amb</sub> 20 °C)

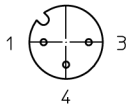
Contact resistance  $\leq 10$  m $\Omega$   
 Rated current 4 A (4-5 poles)  
 2 A (8 poles)  
 1.5 A (12 poles)  
 (T<sub>sub>amb</sub> < 40 °C)  
 Rated voltage 250 V (4 poles)  
 60 V (5 poles)  
 30 V (8, 12 poles)  
 (with pollution degree 3)  
 Rated impulse voltage 2,5 kV (4 poles)  
 1,5 kV (5 poles)  
 0,8 kV (8 poles)  
 0,5 kV (12 poles)  
 Material group I (IEC)/0 (UL) (CTI = 600)  
 Insulation resistance > 100 M $\Omega$</sub>

M12

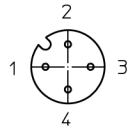
1205 ... 3...

Pin assignments for female M12 connectors, A-coded

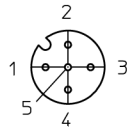
Pin assignment for female M12 connectors, A-coded



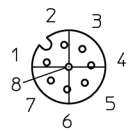
- 3 pole  
1 brown  
3 blue  
4 black



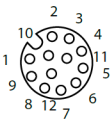
- 4 pole  
1 brown  
2 white  
3 blue  
4 black



- 5 pole  
1 brown  
2 white  
3 blue  
4 black  
5 gray



- 8 pole  
1 white  
2 brown  
3 green  
4 yellow  
5 gray  
6 pink  
7 blue  
8 red



- 12 pole  
1 brown  
2 blue  
3 white  
4 green  
5 pink  
6 yellow  
7 black  
8 gray  
9 red  
10 violet  
11 gray/pink  
12 red/blue

Associated products

Counterparts

- |                         |                         |                         |
|-------------------------|-------------------------|-------------------------|
| ☑ 1210 ... 0...         | ☑ 1210 ... 3...         | ☑ 1210 0800 ... 3...    |
| ☑ 1210 0806 ... L1 3... | ☑ 1210 1200 ... 0...    | ☑ 1210 1200 ... 3...    |
| ☑ 1210 1205 ... 3...    | ☑ 1210 1206 ... L1 0... | ☑ 1210 1206 ... L1 3... |
| ☑ 1230 ... T16CW ...    | ☑ 1231 ... T9CP         |                         |

Accessories

- ☑ 9912 CPFO



THE VITAL COMPONENT

M12

1205 ... 3...

Designation	Pole Number	Connected Cable	PU (Pieces)	MDQ (Pieces)	Dimensions L (mm)
1205 04 301 2m	4	PUR, black, 4 x 0.34 mm <sup>2</sup> (AWG 22), 910301, UL-style 20549	5	10	2000
1205 04 301 5m	4	PUR, black, 4 x 0.34 mm <sup>2</sup> (AWG 22), 910301, UL-style 20549	1	10	5000
1205 05 302 1m	5	PUR, black, 5 x 0.34 mm <sup>2</sup> (AWG 22), 910302, UL-style 20549	5	10	1000
1205 05 302 2m	5	PUR, black, 5 x 0.34 mm <sup>2</sup> (AWG 22), 910302, UL-style 20549	5	10	2000
1205 05 302 5m	5	PUR, black, 5 x 0.34 mm <sup>2</sup> (AWG 22), 910302, UL-style 20549	1	10	5000
1205 08 303 2m	8	PUR, black, 8 x 0.25 mm <sup>2</sup> (AWG 24), 910303, UL-style 20549	5	10	2000
1205 08 303 5m	8	PUR, black, 8 x 0.25 mm <sup>2</sup> (AWG 24), 910303, UL-style 20549	1	10	5000
1205 12 315 5m	12 cULus pending	PUR, black, 12 x 0.25 mm <sup>2</sup> (AWG 24), 910315, UL-style 20549	1	10	5000

**Packaging:**  
in a plastic bag