

M12 1231 ... T9CP

## Panel Mount Connectors M12



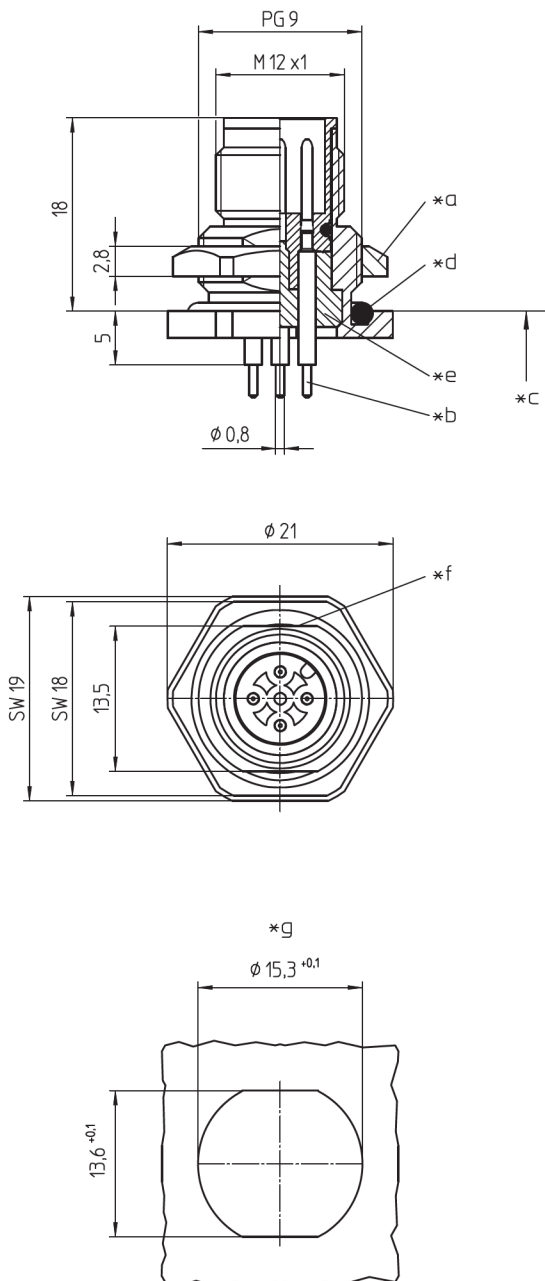
M12 panel mount connector, male, A-coded, IP67, for rear side mounting, thread PG9, for printed circuit boards

---

Approvals:  **US** pending

---

**M12 1231 ... T9CP**



**Environmental conditions**

Temperature range -25 °C/+80 °C

**Materials**

Insulating body	PA
Contact pin	CuZn, pre-nickel and gold-plated
Housing	CuZn, nickel-plated
Hexagonal nut	CuZn, nickel-plated
Seal	FKM

**Mechanical data**

Mating cycles	≥ 100
Insertion force	≤ 10 N <sup>1</sup>
Withdrawal force	≤ 15 N <sup>1</sup>
Protection class	IP67 <sup>2</sup>

<sup>1</sup> measured with a proper counterpart

<sup>2</sup> according to IEC DIN EN 60529, only in locked condition with an appropriate counterpart

**Electrical data (at T<sub>amb</sub> 20 °C)**

Contact resistance	≤ 5 mΩ
Rated current	4 A (T <sub>amb</sub> 40 °C)
Rated voltage	50 V AC/60 V DC (with pollution degree 3) <sup>1</sup>
Rated impulse voltage	1,5 kV <sup>1</sup>
Material group	I (IEC)/0 (UL) (CTI ≥ 600) <sup>1</sup>
Overvoltage category	II <sup>1</sup>
Insulation resistance	> 100 MΩ

<sup>1</sup> acc. to IEC 60664/DIN EN 60664/CTI UL classification acc. to ANSI/UL 746A

**Associated products**

Counterparts

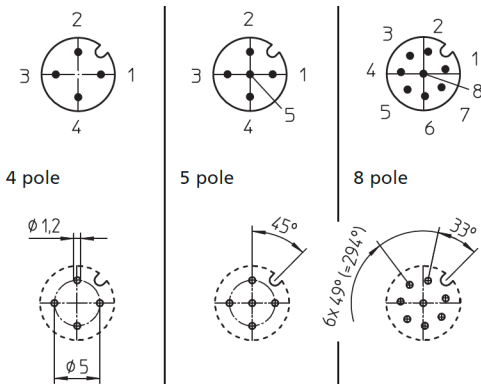
☞ 1200 ... 0...	☞ 1200 ... 3...	☞ 1205 ... 0...
☞ 1205 ... 3...	☞ 1206 ... L1 0...	☞ 1206 ... L1 3...
☞ 1210 1200 ... 0...	☞ 1210 1200 ... 3...	☞ 1210 1205 ... 3...
☞ 1210 1206 ... L1 0...	☞ 1210 1206 ... L1 3...	

Accessories

☞ 9912 CPM0

M12 1231 ... T9CP

Pin assignment and printed circuit board layouts for male M12 connectors, A-coded, components side view



- \*a nut
- \*b solder pin for bore hole in printed circuit board  $\varnothing 1,2$  mm
- \*c mounting direction
- \*d O-ring gasket
- \*e contact area potted
- \*f anti-rotation
- \*g port in mounting plate



THE VITAL COMPONENT

M12 1231 ... T9CP

Designation	Pole Number	Connected Cable	PU (Pieces)	MDQ (Pieces)
1231 04 T9CP	4		10	10
1231 05 T9CP	5		10	10
1231 08 T9CP	8		10	10

**Packaging:**  
in a plastic bag