

M12

1221 ... T9CP

Panel Mount Connectors M12

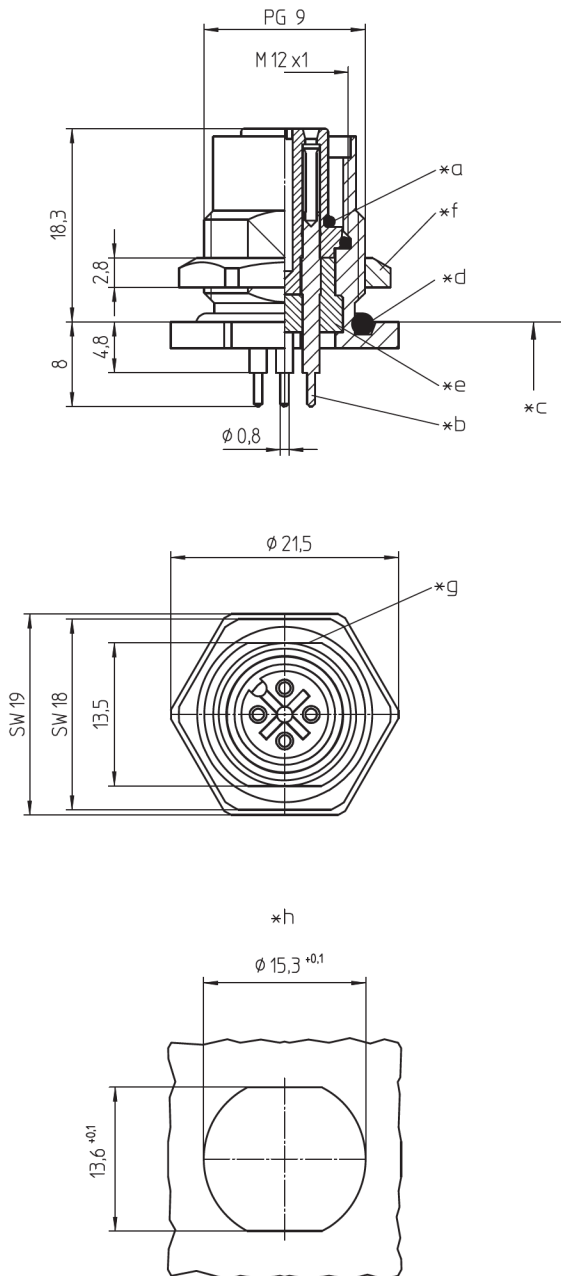


M12 panel mount connector, female, A-coded, IP67, for rear side mounting, thread PG9, for printed circuit boards

Approvals:  pending

M12

1221 ... T9CP



Environmental conditions

Temperature range -25 °C/+80 °C

Materials

Insulating body	PA
Contact bush	CuZn, pre-nickel and gold-plated
Housing	CuZn, nickel-plated
Hexagonal nut	CuZn, nickel-plated
Seal	FKM

Mechanical data

Mating cycles	≥ 100
Insertion force	≤ 10 N ¹
Withdrawal force	≤ 15 N ¹
Protection class	IP67 ²

¹ measured with a proper counterpart

² according to IEC DIN EN 60529, only in locked condition with an appropriate counterpart

Electrical data (at T_{amb} 20 °C)

Contact resistance	≤ 5 mΩ
Rated current	4 A (T _{amb} 40 °C)
Rated voltage	50 V AC/60 V DC (with pollution degree 3) ¹
Rated impulse voltage	1,5 kV ¹
Material group	I (IEC)/0 (UL) (CTI ≥ 600) ¹
Oversvoltage category	II ¹
Insulation resistance	> 100 MΩ

¹ acc. to IEC 60664/DIN EN 60664/CTI UL classification acc. to ANSI/UL 746A

Associated products

Counterparts

☞ 1210 ... 0...	☞ 1210 ... 3...	☞ 1210 0800 ... 3...
☞ 1210 0806 ... L1 3...	☞ 1210 1200 ... 0...	☞ 1210 1200 ... 3...
☞ 1210 1205 ... 3...	☞ 1210 1206 ... L1 0...	☞ 1210 1206 ... L1 3...

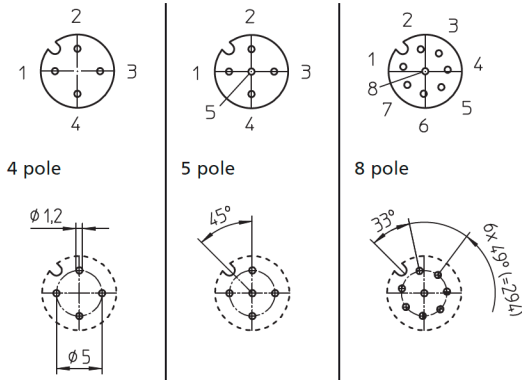
Accessories

☞ 9912 CPF0

M12

1221 ... T9CP

Pin assignment and printed circuit board layouts for female M12 connectors, A-coded, components side view



- *a O-ring gasket
- *b solder pin for bore hole in printed circuit board $\varnothing 1,2$ mm
- *c mounting direction
- *d O-ring gasket
- *e contact area potted
- *f nut
- *g anti-rotation
- *h port in mounting plate



THE VITAL COMPONENT

M12

1221 ... T9CP

Designation	Pole Number	Connected Cable	PU (Pieces)	MDQ (Pieces)
1221 04 T9CP	4		10	10
1221 05 T9CP	5		10	10
1221 08 T9CP	8		10	10

Packaging:

in a plastic bag