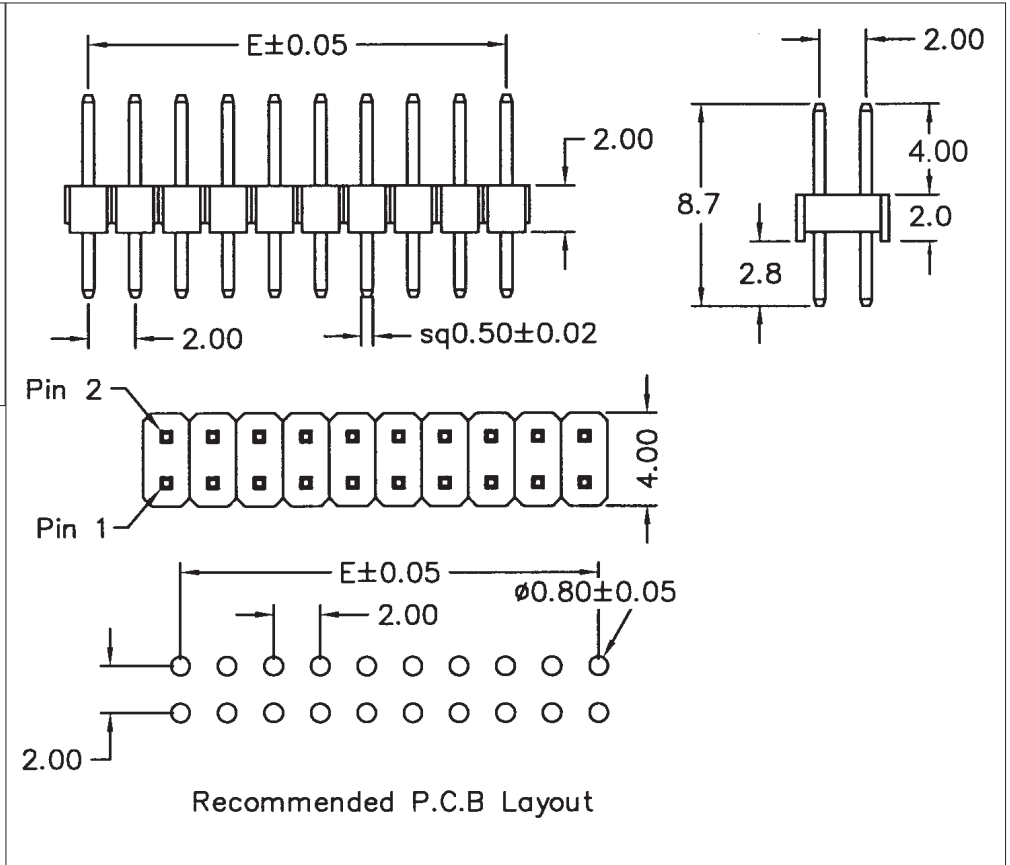
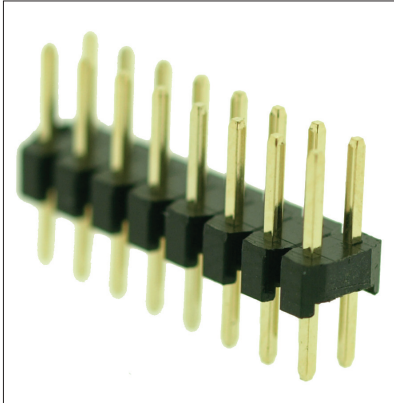


## 2.00mm Pitch Through Board Straight Mount Dual Row Pin Headers LT2-xxS2-R-040-028 Series

2.00mm Pin Pitch - **4.00mm Length Contact Pin & 2.00mm Body Height**

Gold Flash Plated Contacts

From 04 positions (2x2) to 80 positions (2x40)



### Ordering Information

#### LT2-xx S2-R-040-028

1 2 3

**Option 1(xx)** Total Number of Contact  
**04 (2x2) to 80 (2x40)**

**Option 2** Contact pin length  
**040 = 4.00mm (Standard)**

**Option 3** Solder tail length  
**028 = 2.80mm (Standard)**

Please note: Some lengths, styles & options are non-standard, non-returnable and may be subject to minimum order quantities.

Custom pin lengths are available

### Specification for LT2-xxS2-R-040-028 Series

Contact Material:	Brass
Contact Plating:	Gold Flash Plated
Body:	PBT UL94V-0 Rated Black
Rated Current:	1A -
DWV:	AC500V
Insulation Resistance:	5000 M $\Omega$ Max.
Contact Resistance:	20 m $\Omega$ min.
Operating Temperature:	-40°C to +105°C