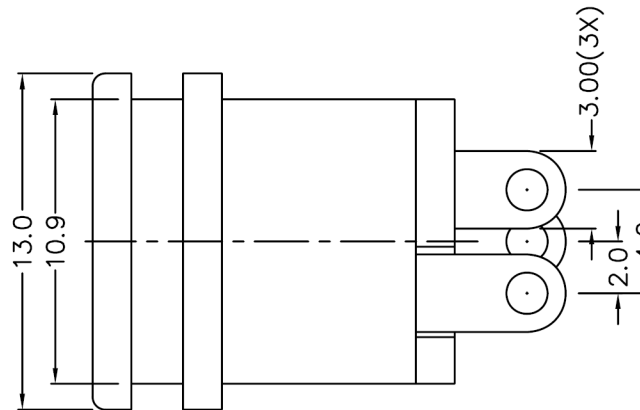


SCHEMATIC	
CENTER PIN	∅2mm
	∅2.5mm



*** MATERIAL**

- CENTRE PIN : COPPER
- TERMINAL 1 : BRASS
- TERMINAL 2 : BRASS
- TERMINAL 3 : COPPER ALLOY
- HOUSING : PBT
- COVER : PBT



RoHS Compliant

the vital component

DRAWING BY	CY
CHECKED BY	GENIUS
UNIT / mm	SCALE 1 : 1
DATE	
SIZE A4	P PROJECTION

TOLERANCES ARE

- X. ±
- .X ±
- .XX ±
- .XXX ±
- ANG ±

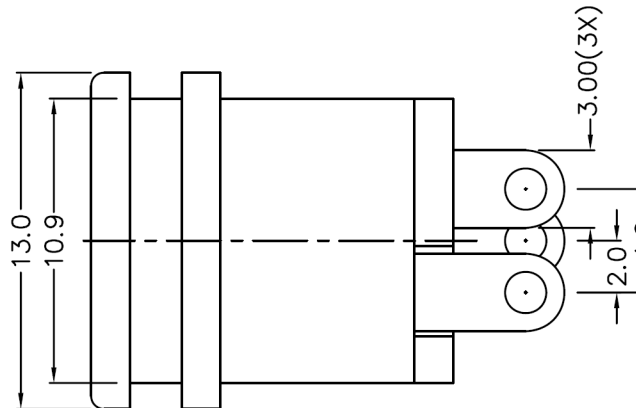
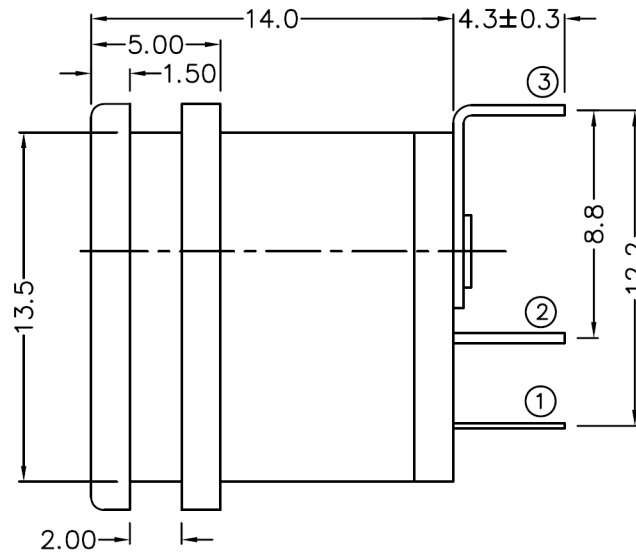
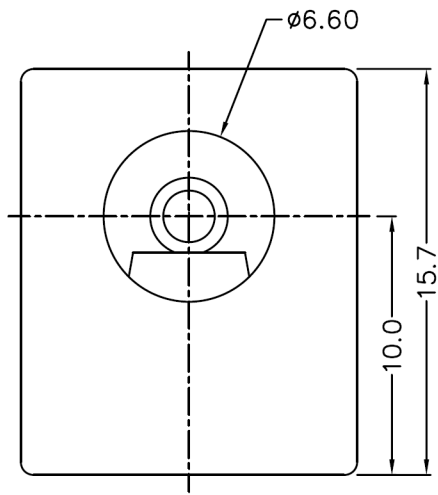


ORDER INFORMATION

DCJ-DPC-xx-LF
 SERIES | | | | | LEADFREE
 | | | | | 20:2.0DIA
 | | | | | 25:2.5DIA
 | | | | | C TYPE
 | | | | | PANEL
 | | | | | DIP 180°



DESCRIPTION: DC POWER JACK



SCHEMATIC	
CENTER PIN	∅2mm
	∅2.5mm

*** MATERIAL**

- CENTRE PIN : COPPER
- TERMINAL 1 : BRASS
- TERMINAL 2 : BRASS
- TERMINAL 3 : COPPER ALLOY
- HOUSING : PBT
- COVER : PBT



RoHS Compliant

the vital component

DRAWING BY	CY
CHECKED BY	GENIUS
UNIT / mm	SCALE 1 : 1
DATE	
SIZE A4	P PROJECTION

TOLERANCES ARE

- X. ±
- .X ±
- .XX ±
- .XXX ±
- ANG ±



ORDER INFORMATION

DCJ-SPC-xx-LF	
SERIES	LEADFREE
	20:2.0DIA
	25:2.5DIA
	C TYPE
	PANEL
	SOLDER



DESCRIPTION: DC POWER JACK