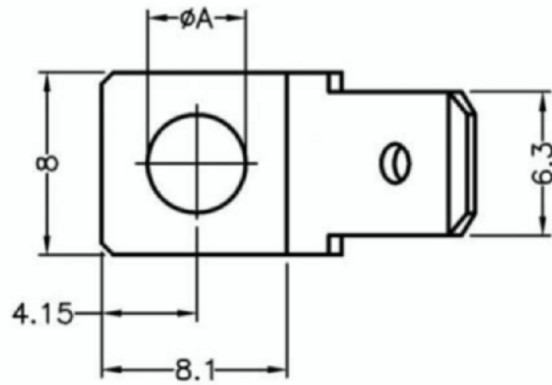
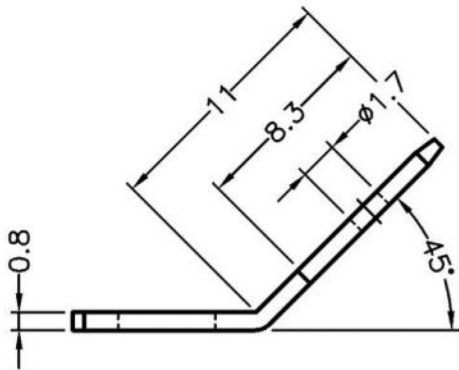


**⚠** This dwg is for reference only, Actual dwg should be based on formal engineering dwg.



Part Number	A	
PC1L250	4.3	
PC1L25005	5.3	

the **vital**  
component

PART NUMBER		PC1L250xx	SPEC. DWG.	
TITLE		P.C.B TERMINAL		
MATERIAL		TIN PLATED BRASS	COLOR	
SIZE	SCALE	UNIT	CHECK	
A4	2:1	mm	Z.C	