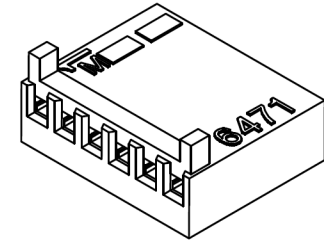
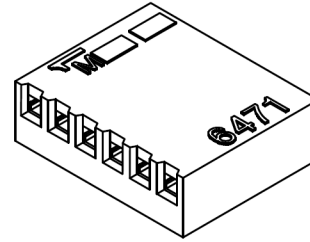
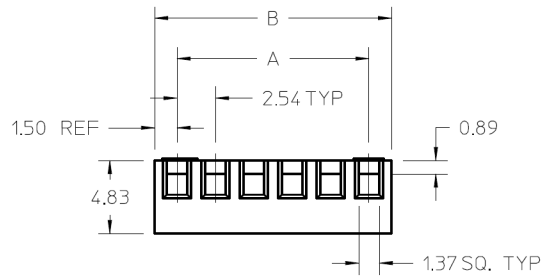
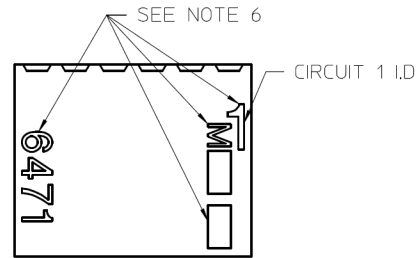
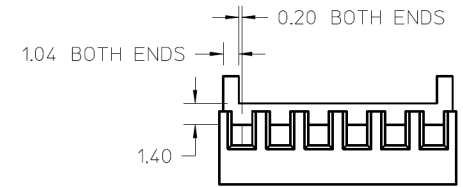
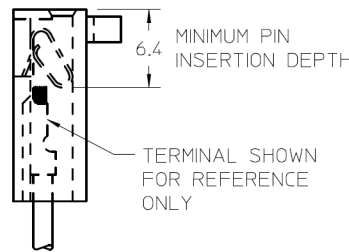
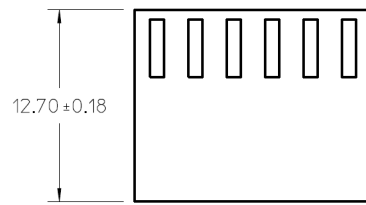


22	53.34±0.35	56.34±0.35
21	50.80±0.35	53.80±0.35
20	48.26±0.35	51.26±0.35
19	45.72±0.35	48.72±0.35
18	43.18±0.35	46.18±0.35
17	40.64±0.35	43.64±0.35
16	38.10±0.35	41.10±0.35
15	35.56±0.35	38.56±0.35
14	33.02±0.35	36.02±0.35
13	30.48±0.35	33.48±0.35
12	27.94±0.35	30.94±0.35
11	25.40±0.35	28.40±0.35
10	22.86±0.35	25.86±0.35
9	20.32±0.35	23.32±0.35
8	17.78±0.35	20.78±0.35
7	15.24±0.35	18.24±0.35
6	12.70±0.15	15.70±0.15
5	10.16±0.15	13.16±0.15
4	7.62±0.15	10.62±0.15
3	5.08±0.15	8.08±0.15
2	2.54±0.15	5.54±0.15
No. OF CCTS	DIM A	DIM B



SHOWN WITH OPTIONAL RAMP AND POLARIZATION RIBS



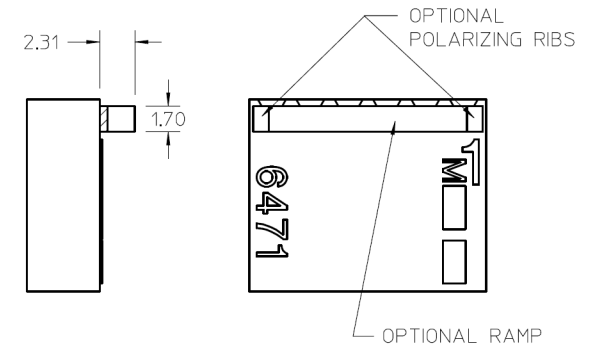
LEGEND

E-6471-*N*

MATERIAL
BLANK= NATURAL

OF CIRCUITS

OPTION CODE
BLANK=NO RAMP OR POLARIZATION RIB
|= RAMP AND POLARIZATION RIB



OPTIONAL RAMP AND POLARIZING RIBS

NOTES:

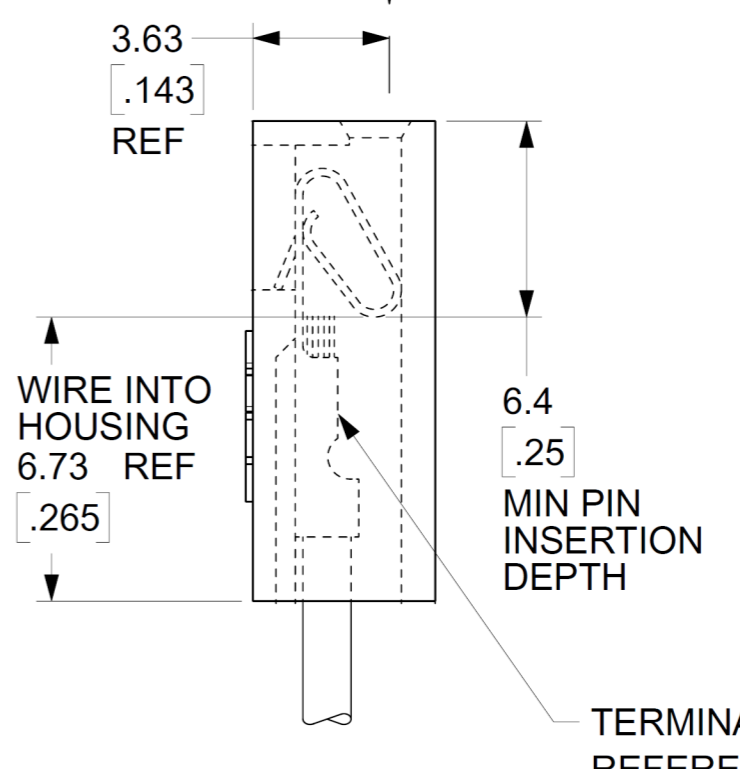
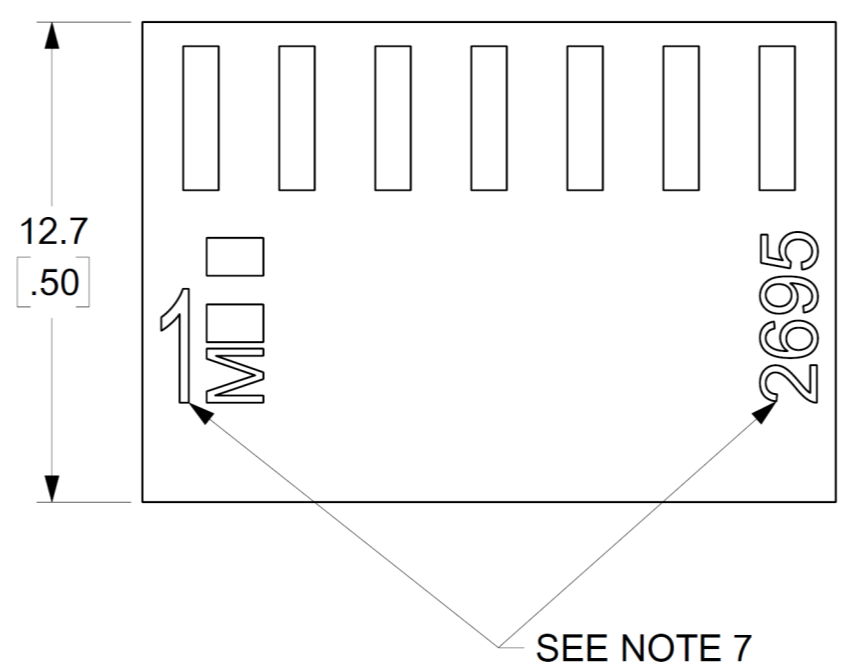
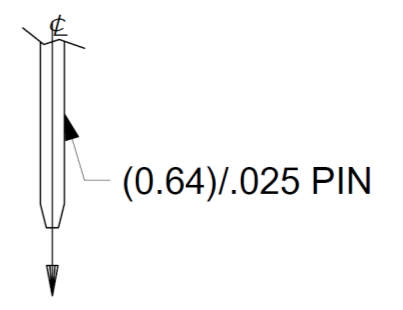
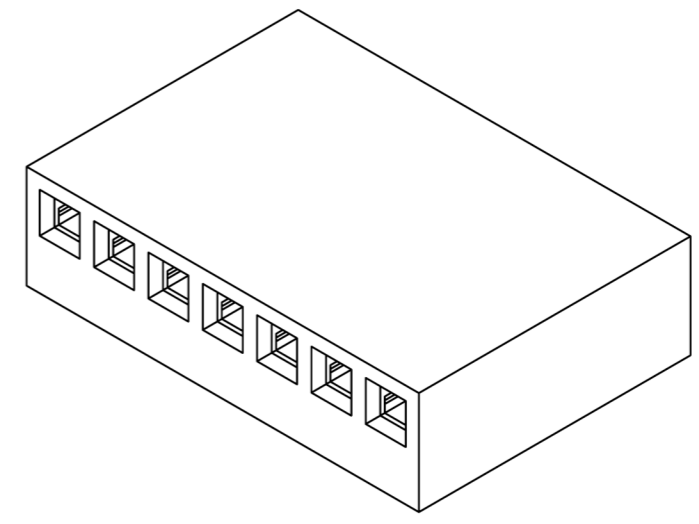
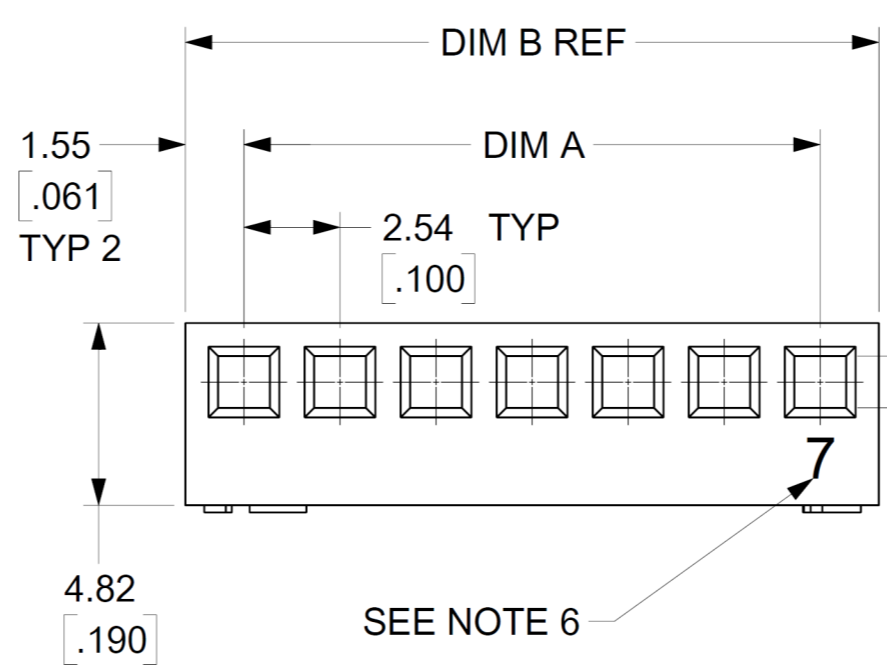
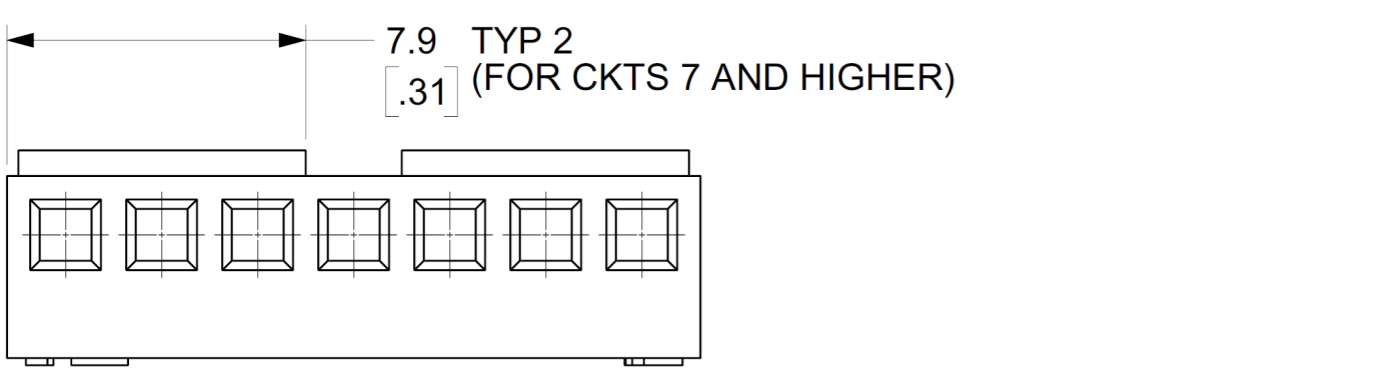
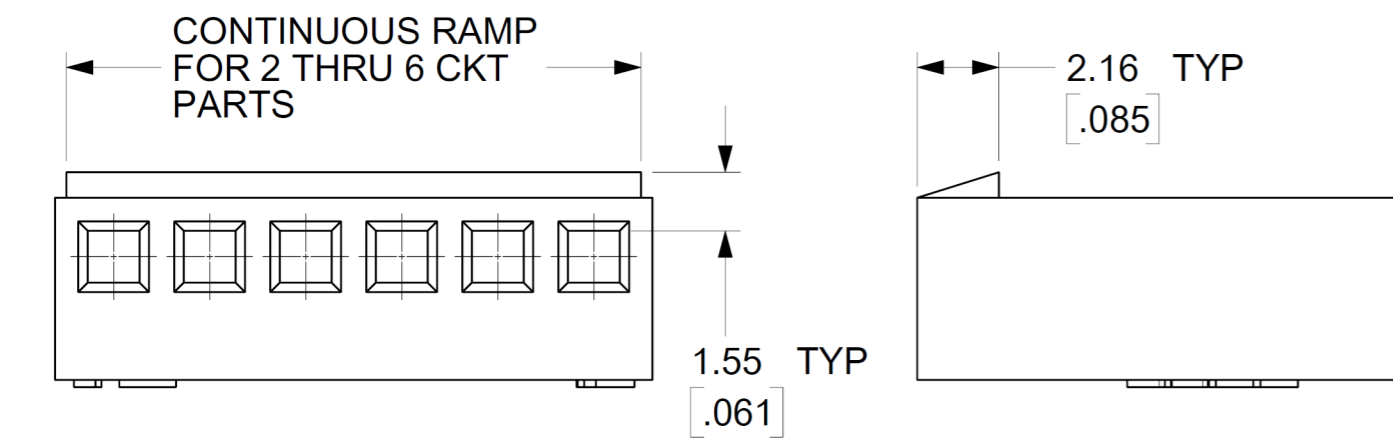
1. MATERIAL:
"BLANK": POLYAMIDE (PA66/6), UL94V-0, COLOR: NATURAL (WHITE)
2. FINISH: N/A
3. PRODUCT SPECIFICATION: PS-99020-0088
4. PACKAGING: BULK
5. FOR USE WITH TERMINAL SERIES 2759, 41572, 4809, 6459, AND 8088.
6. TEXT MAY BE PRESENT ON EITHER SIDE OF PART.
7. THIS PART CONFORMS TO CLASS B REQUIREMENTS OF COSMETIC SPECIFICATION PS-45499-002.

REDRAWN IEC NO: UCP2011-0386 2011/05/27 DRW:HWKIPPER CHK:KANDERSON 2011/05/27 APPR:FSMITH 2011/10/11	QUALITY SYMBOLS ▽=0 ▽=0 ▽=0	GENERAL TOLERANCES (UNLESS SPECIFIED)	DIMENSION STYLE		SCALE	DESIGN UNITS	THIRD ANGLE PROJECTION
			MM ONLY		4:1	METRIC	
G	DESCRIPTION	4 PLACES ± --- ± --- 3 PLACES ± --- ± --- 2 PLACES ± 0.15 ± --- 1 PLACE ± 0.25 ± --- ANGULAR ± ---°	DRAWN BY	DATE	TITLE KK 2.54MM CRIMP TERMINAL HOUSING		
			SF	2000/07/14			
REV	MATERIAL NO.	DRAFT WHERE APPLICABLE MUST REMAIN WITHIN DIMENSIONS	CHECKED BY	DATE	MOLEX INCORPORATED		
			DWASZKIEWICZ	2006/02/27			
C	SIZE	SEE CHART	APPROVED BY	DATE	SD-6471-N***		
			FSMITH	2011/10/11			
			DOCUMENT NO.		SHEET NO.		
					1 OF 2		
THIS DRAWING CONTAINS INFORMATION THAT IS PROPRIETARY TO MOLEX INCORPORATED AND SHOULD NOT BE USED WITHOUT WRITTEN PERMISSION							

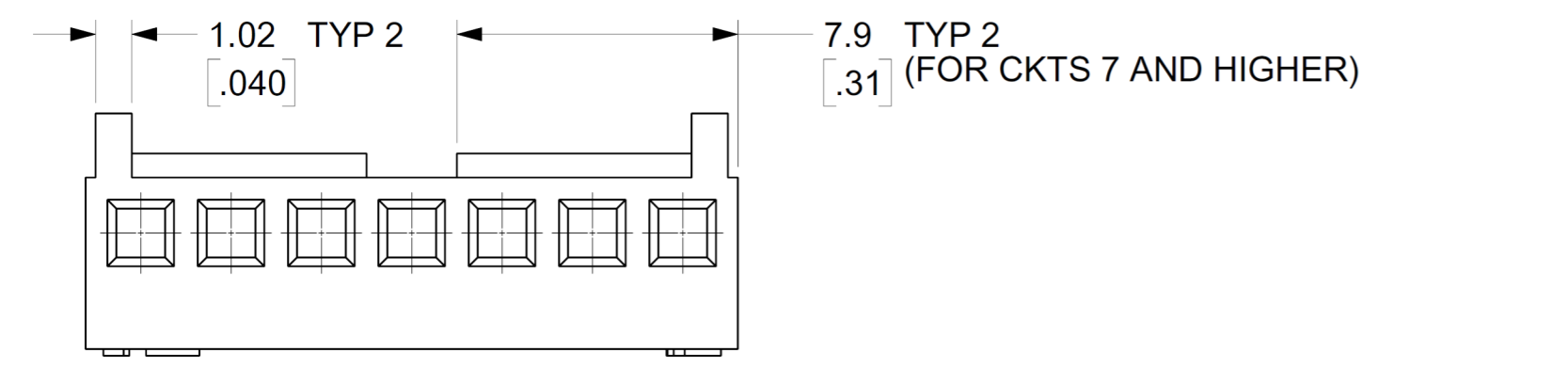
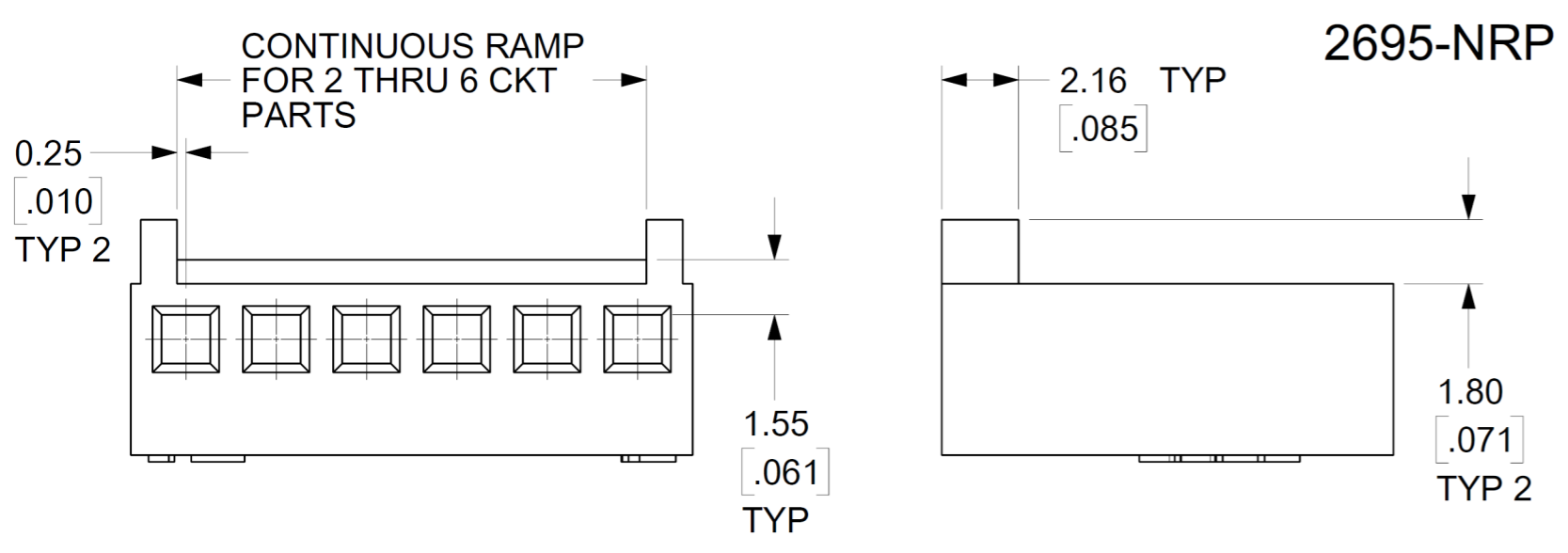
E-6471-N		
PART No.	ENG No.	No. OF CIRCUITS
22-01-2026	E-6471-2	2
↑ -2036	↑ -3	3
↑ -2046	↑ -4	4
↑ -2056	↑ -5	5
↑ -2066	↑ -6	6
↑ -2076	↑ -7	7
↑ -2086	↑ -8	8
↑ -2096	↑ -9	9
↑ -2106	↑ -10	10
↑ -2116	↑ -11	11
↑ -2126	↑ -12	12
↑ -2136	↑ -13	13
↑ -2146	↑ -14	14
↑ -2156	↑ -15	15
↑ -2166	↑ -16	16
↑ -2176	↑ -17	17
↑ -2186	↑ -18	18
↑ -2196	↑ -19	19
↑ -2206	↑ -20	20
↑ -2216	↑ -21	21
22-01-2226	E-6471-22	22

E-6471-NI		
PART No.	ENG No.	No. OF CIRCUITS
22-01-2025	E-6471-02I	2
↑ -2035	↑ -03I	3
↑ -2045	↑ -04I	4
↑ -2055	↑ -05I	5
↑ -2065	↑ -06I	6
↑ -2075	↑ -07I	7
↑ -2085	↑ -08I	8
↑ -2095	↑ -09I	9
↑ -2105	↑ -10I	10
↑ -2115	↑ -11I	11
↑ -2125	↑ -12I	12
↑ -2135	↑ -13I	13
↑ -2145	↑ -14I	14
↑ -2155	↑ -15I	15
↑ -2165	↑ -16I	16
↑ -2175	↑ -17I	17
↑ -2185	↑ -18I	18
↑ -2195	↑ -19I	19
↑ -2205	↑ -20I	20
↑ -2215	↑ -21I	21
22-01-2225	E-6471-22I	22

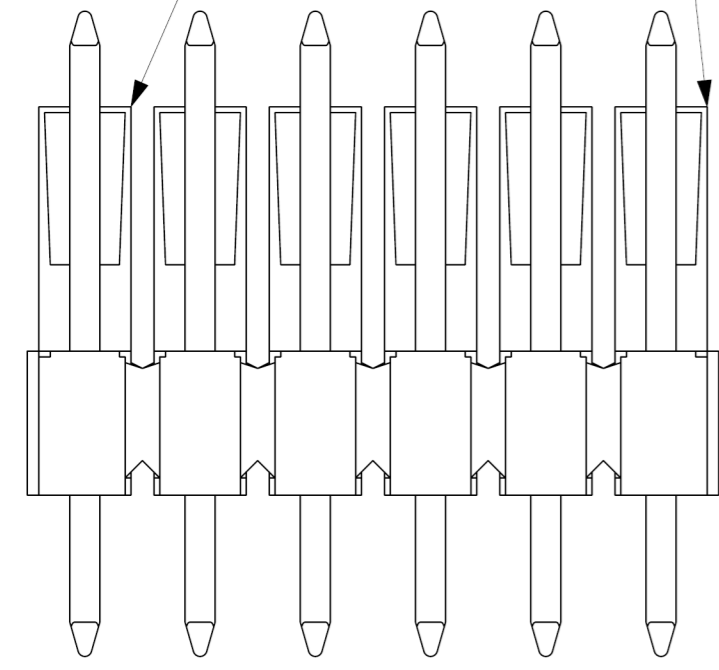
SEE SHEET 1 EC NO: UCP2011-0386 2011/05/27 DRWN:KIPPER 2011/05/27 CHKD:ANDERSON 2011/10/11 APPR:FSMITH	QUALITY SYMBOLS 	GENERAL TOLERANCES (UNLESS SPECIFIED) <table border="1"> <tr><th></th><th>mm</th><th>INCH</th></tr> <tr><td>4 PLACES</td><td>± .005</td><td>± .0004</td></tr> <tr><td>3 PLACES</td><td>± .008</td><td>± .0005</td></tr> <tr><td>2 PLACES</td><td>± 0.15</td><td>± .006</td></tr> <tr><td>1 PLACE</td><td>± 0.25</td><td>± .010</td></tr> </table>		mm	INCH	4 PLACES	± .005	± .0004	3 PLACES	± .008	± .0005	2 PLACES	± 0.15	± .006	1 PLACE	± 0.25	± .010	DIMENSION STYLE MM ONLY DRAWN BY DATE SF 2000/07/14 CHECKED BY DATE DWASZKIEWICZ 2006/02/27 APPROVED BY DATE FSMITH 2011/10/11	SCALE 1:1 DESIGN UNITS METRIC THIRD ANGLE PROJECTION	TITLE KK 2.54MM CRIMP TERMINAL HOUSING
		mm	INCH																	
	4 PLACES	± .005	± .0004																	
	3 PLACES	± .008	± .0005																	
2 PLACES	± 0.15	± .006																		
1 PLACE	± 0.25	± .010																		
MATERIAL NO. SEE CHART	DOCUMENT NO. SD-6471-N*-***	SHEET NO. 2 OF 2																		
DRAFT WHERE APPLICABLE MUST REMAIN WITHIN DIMENSIONS			SIZE C	THIS DRAWING CONTAINS INFORMATION THAT IS PROPRIETARY TO MOLEX INCORPORATED AND SHOULD NOT BE USED WITHOUT WRITTEN PERMISSION																
MOLEX INCORPORATED																				



NO. OF CIRCUITS	DIM. A	DIM. B
2	(2.54±0.05) .100±.002	(5.64) .222
3	(5.08±0.05) .200±.002	(8.18) .322
4	(7.62±0.08) .300±.003	(10.72) .422
5	(10.16±0.08) .400±.003	(13.26) .522
6	(12.70±0.10) .500±.004	(15.80) .622
7	(15.24±0.10) .600±.004	(18.34) .722
8	(17.78±0.13) .700±.005	(20.88) .822
9	(20.32±0.13) .800±.005	(23.42) .922
10	(22.86±0.13) .900±.005	(25.96) 1.022
11	(25.40±0.15) 1.000±.006	(28.50) 1.122
12	(27.94±0.15) 1.100±.006	(31.04) 1.222
13	(30.48±0.18) 1.200±.007	(33.58) 1.322
14	(33.02±0.18) 1.300±.007	(36.12) 1.422
15	(35.56±0.20) 1.400±.008	(38.66) 1.522
16	(38.10±0.20) 1.500±.008	(41.20) 1.622



WHEN MATING 2695-NRP TO BREAKAWAY FRICTION LOCK OR POLARIZING HEADERS, THE END BACKWALLS MUST BE REMOVED



NOTES:

1. MATERIAL: A - NYLON, UL94V-0, COLOR: WHITE
B - NYLON, UL94V-0, COLOR: MOLDED BLACK
2. FINISH: SEE TERMINAL DRAWING
3. PRODUCT SPECIFICATION: PS-10-07.
4. PACKAGING: PER PK-2695-001
5. HOUSING TO BE USED WITH CRIMP TERMINAL SERIES 2759, 6459, 41572. PARTS MADE AFTER 4/19/2012 WILL ALSO ACCEPT 4809 AND 8088 SERIES TERMINALS. FOR USE WITH 22-30 GAUGE WIRE WITH (1.57)/.062 DIAMETER MAXIMUM WIRE INSULATION.
6. LAST CIRCUIT NUMBER NOT PRESENT ON 2-6 CKT AND MAY OR MAY NOT BE PRESENT ON 7-16 CKT SIZES.
7. CIRCUIT NUMBER "1" AND ENGINEERING NUMBER TO APPEAR ON PARTS 3 CKTS AND HIGHER.
8. THIS PART CONFORMS TO CLASS B REQUIREMENTS OF COSMETIC SPECIFICATION PS-45499-002.
9. THE PARTS LISTED ON THIS DRAWING ARE CONSTRUCTED TO MEET THE REQUIREMENT FOR DIRECT SUPPORT OF UNINSULATED LIVE PARTS AS DESCRIBED IN UL508C.
10. THIS DRAWING REPLACES 26950000-SD.



QUALITY SYMBOLS	THIS DRAWING CONTAINS INFORMATION THAT IS PROPRIETARY TO MOLEX ELECTRONIC TECHNOLOGIES, LLC AND SHOULD NOT BE USED WITHOUT WRITTEN PERMISSION					
	REDRAWN IN INX	GENERAL TOLERANCES (UNLESS SPECIFIED)		DIMENSION UNITS		
2017/06/01 2017/06/08 2017/06/15		MM	INCH	SCALE		
△ = 0	4 PLACES ± ±	MM/IN	5:1			
▽ = 0	3 PLACES ± ± 0.005	DRWN BY	DATE			
▽ = 0	2 PLACES ± 0.13 ± 0.01	JQUILES	2017/06/02	KK 2.54/.100 CRIMP HOUSING 2695 SERIES HALOGEN FREE		
▼ = 0	1 PLACES ± 0.25 ±	CHK'D BY	DATE			
▽ = 0	0 PLACES ± ±	MKIPPER	2017/06/08	PRODUCT CUSTOMER DRAWING		
□ = 0	ANGULAR TOL ± 0.5	APPR BY	DATE			
■ = 0	DRAFT WHERE APPLICABLE MUST REMAIN WITHIN DIMENSIONS	FSMITH	2017/06/09	SERIES	MATERIAL NUMBER	CUSTOMER
▽ = 0		DRAWING SIZE	THIRD ANGLE PROJECTION	2695	SEE CHART	GENERAL MARKET
		C		DOCUMENT NUMBER	DOC TYPE	DOC PART SHEET NUMBER
				26950000-SD	PSD	000 1 OF 2

2695-N			2695-NR			2695-NRP			2695-NRP-BK		
PART NUMBER	ENGINEERING NUMBER	VOID	PART NUMBER	ENGINEERING NUMBER	VOID	PART NUMBER	ENGINEERING NUMBER	VOID	PART NUMBER	ENGINEERING NUMBER	VOID
22-01-2021	2695-2		22-01-2027	2695-2R		22-01-3027	2695-2RP		50-29-1557	2695-2RP-BK	
22-01-2031	2695-3		22-01-2037	2695-3R		22-01-3037	2695-3RP		50-29-1558	2695-3RP-BK	
22-01-2041	2695-4		22-01-2047	2695-4R		22-01-3047	2695-4RP		50-29-1559	2695-4RP-BK	
22-01-2051	2695-5		22-01-2057	2695-5R		22-01-3057	2695-5RP		50-29-1560	2695-5RP-BK	
22-01-2061	2695-6		22-01-2067	2695-6R		22-01-3067	2695-6RP		50-29-1561	2695-6RP-BK	
22-01-2071	2695-7		22-01-2077	2695-7R		22-01-3077	2695-7RP		50-29-1562	2695-7RP-BK	
22-01-2081	2695-8		22-01-2087	2695-8R		22-01-3087	2695-8RP		50-29-1563	2695-8RP-BK	
22-01-2091	2695-9		22-01-2097	2695-9R		22-01-3097	2695-9RP		50-29-1564	2695-9RP-BK	
22-01-2101	2695-10		22-01-2107	2695-10R		22-01-3107	2695-10RP		50-29-1565	2695-10RP-BK	
22-01-2111	2695-11		22-01-2117	2695-11R		22-01-3117	2695-11RP		50-29-1566	2695-11RP-BK	
22-01-2121	2695-12		22-01-2127	2695-12R		22-01-3127	2695-12RP		50-29-1567	2695-12RP-BK	
22-01-2131	2695-13		22-01-2137	2695-13R		22-01-3137	2695-13RP		50-29-1568	2695-13RP-BK	
22-01-2141	2695-14		22-01-2147	2695-14R		22-01-3147	2695-14RP		50-29-1569	2695-14RP-BK	
22-01-2151	2695-15		22-01-2157	2695-15R		22-01-3157	2695-15RP		50-29-1570	2695-15RP-BK	
22-01-2161	2695-16		22-01-2167	2695-16R		22-01-3167	2695-16RP		50-29-1571	2695-16RP-BK	

2695 - N * *
 NO OF CIRCUITS — *
 VOID LOCATION SEE CHART — *
 OPTION CODE

	RAMP	POLARIZING RIBS	MATERIAL
BLANK	NO	NO	NOTE 1A
R	YES	NO	NOTE 1A
RP	YES	YES	NOTE 1A
RP-BK	YES	YES	NOTE 1B



QUALITY SYMBOLS ▽ = 0 ▽ = 0 ▽ = 0 ▽ = 0 ▽ = 0 ▽ = 0 ▽ = 0 ▽ = 0 ▽ = 0 ▽ = 0	THIS DRAWING CONTAINS INFORMATION THAT IS PROPRIETARY TO MOLEX ELECTRONIC TECHNOLOGIES, LLC AND SHOULD NOT BE USED WITHOUT WRITTEN PERMISSION				
	REDRAWN IN INX EC NO: 115759 DRWN: JQUILES CHK'D: MKIPPER REV / APPR: FSMITH	GENERAL TOLERANCES (UNLESS SPECIFIED)		DIMENSION UNITS	SCALE
				MM/IN	1:1
				DRWN BY	DATE
				CHK'D BY	DATE
				APPR BY	DATE
			DRAWING SIZE	THIRD ANGLE PROJECTION	
			C		
			DRAFT WHERE APPLICABLE MUST REMAIN WITHIN DIMENSIONS		
			ANGULAR TOL ± 0.5		
		4 PLACES ± ±			
		3 PLACES ± ± 0.005			
		2 PLACES ± 0.13 ± 0.01			
		1 PLACES ± 0.25 ±			
		0 PLACES ± ±			

KK 2.54/.100 CRIMP HOUSING
2695 SERIES HALOGEN FREE

PRODUCT CUSTOMER DRAWING

SERIES: 2695 MATERIAL NUMBER: SEE CHART CUSTOMER: GENERAL MARKET

DOCUMENT NUMBER: 26950000-SD DOC TYPE: PSD DOC PART: 000 SHEET NUMBER: 2 OF 2