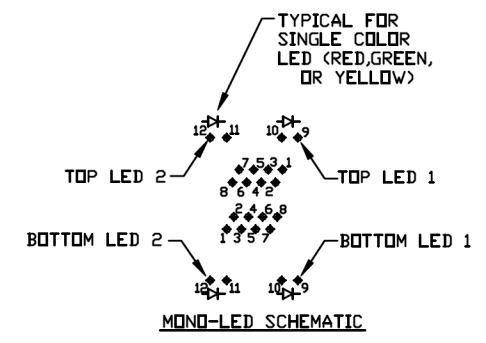
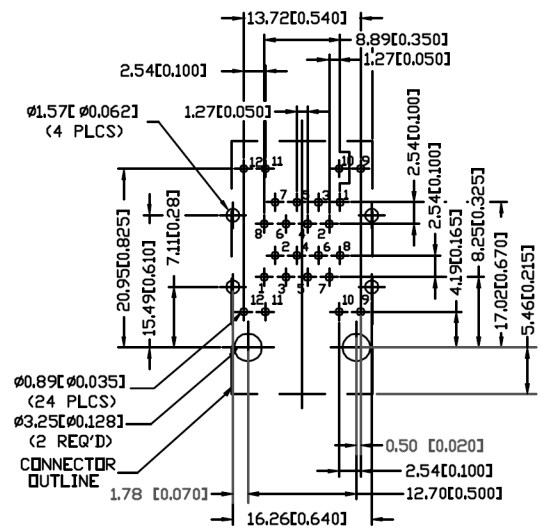
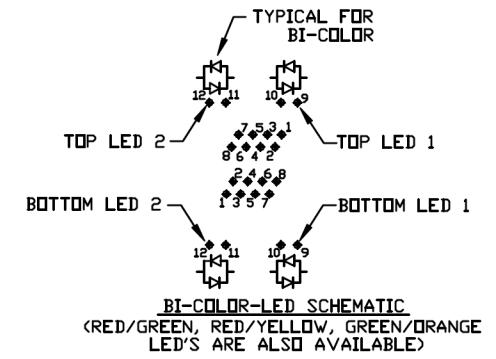
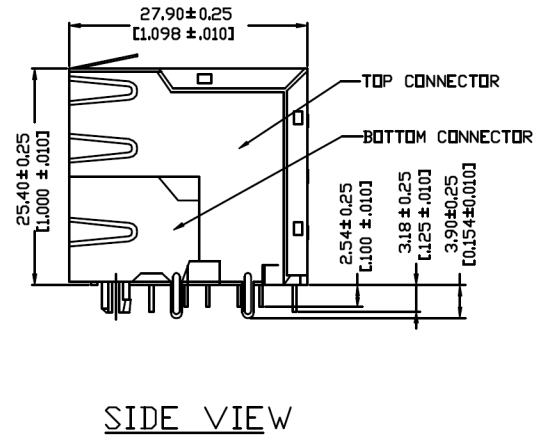
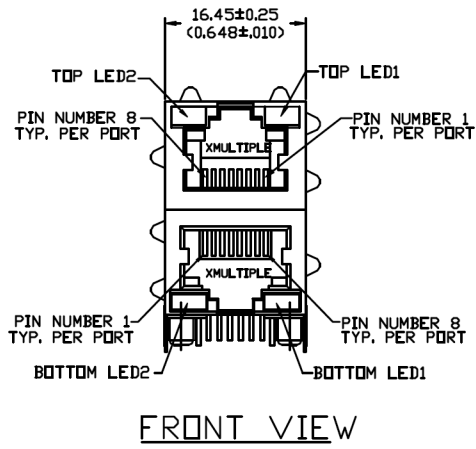


REVISIONS					
ECO	ZONE	REV	DESCRIPTION	DATE	APPROVED
		J1	REVISED RELEASE	07/31/01	Chen



1. MATERIALS:
 HOUSING: HIGH TEMP. THERMOPLASTIC, BLACK, UL 94V-0
 CONTACTS: 0.014 INCHES (0.35 MILLIMETERS) THICK PHOSPHOR BRONZE PLATED WITH 150 MICRONS (3.81 MICROMETERS) MINIMUM THICK TIN LEAD IN SOLDER AREA. 15 MICRONS (0.38 MICROMETERS) MINIMUM GOLD IN LOCALIZED PLATE AREA. ENTIRE CONTACTS PLATED WITH 50 MICRONS (1.27 MICROMETERS) MINIMUM THICK NICKEL.
 SHIELDED: 0.0098 INCHES (0.25 MILLIMETERS) THICK COPPER ZINC ALLOY PLATED WITH 30 MICRONS (0.762 MICROMETERS) MINIMUM THICK NICKEL.

2. JACK CAVITY CONFORMS TO FCC RULES AND REGULATIONS PART 68, SUBPART F

3. PART NUMBER XRJD-S-21-8-8-X
 REFER TO LED OPTIONS TABLE FOR ORDERING CODES

NOTES: UNLESS OTHERWISE SPECIFIED
 UNSPECIFIED TOLERANCES: .XX ± 0.01 [0.25]
 .X ± 0.008 [0.15]

XMULTIPLE the vital component		CONNECTING THE INFORMATION AGE	
THIS DRAWING IS A CONTROLLED DOCUMENT.		DRG NO.	000524-XRJD21
TITLE: Stacked RJ45 Connectors, V/LED, 8P, 8C, Shielded, Thru Hole, 2 Piece Structure		DRWING	VIQ
PART NO. XRJD-S-21-8-8-X		GRN:	C.TSAJ
	DIMENSIONS	SHEET	REV
	[mm]Inch	1 of 1	J1
		DATE	07/31/01