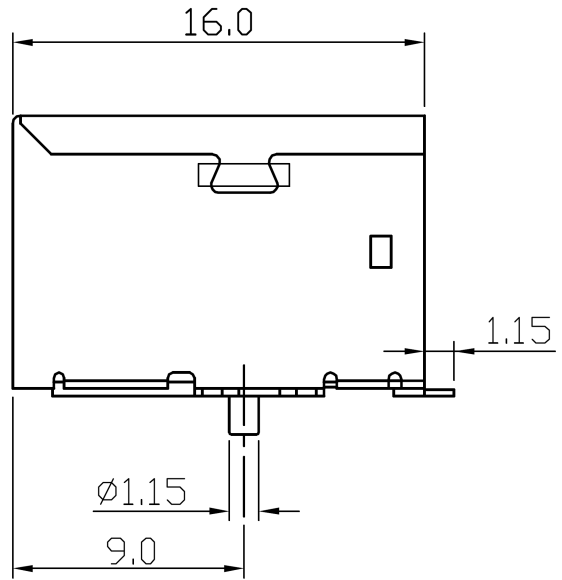


B TYPE

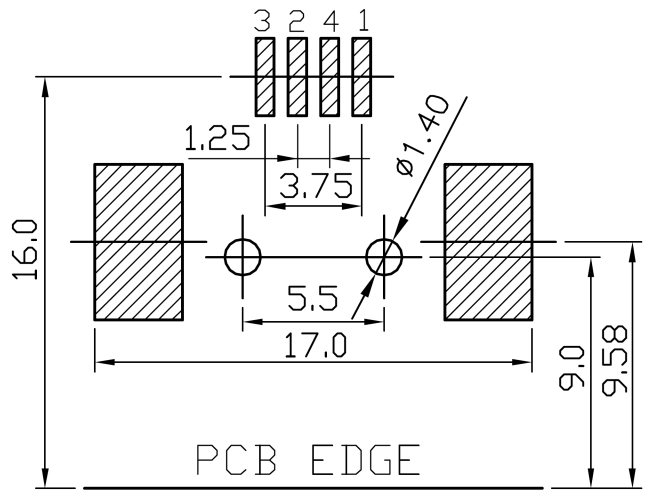


SPECIFICATION
MATERIAL
 Insulator: Thermal Plastic UL94V-0
 Contacts: Copper Alloy
 Shell: Stel
CONTACT PLATING
 Underplate: 40u"~60u" Nickel
 Contact Area: 1u" Gold
 Solder Tails Area: 100u" Tin Min.
ELECTRICAL
 Current Rating: 1A Max.
 Contact Resistance: 30 mΩ Max.
 Insulation Resistance: 1000 MΩ Min. @500V DC
 Dielectric Withstanding Voltage: 750V AC/minute
 Temperature Range: -55°C to +85°C



PART NO. 317 D E 04 P S B 0 A 0 3
 1 2 3 4 5 6 7 8 9 10 11

- 1.SERIES NO.
- 2.TYPE: D=SMT
- 3.GREEN OPTION:
E=RoHS
- 4.CONTACT NUMBER
04
- 5.CONTACT TYPE
P=Female
- 6.CONTACT AREA PLATING:
S=Selective Gold 1u"
- 7.TYPE OPTION:
B=B Type
- 8.SHELL OPTION:
0=Non Function
- 9.CONTACT OPTION:
A=Standard
- 10.PACKAGE OPTION:
0=Tray
- 11.INSULATOR COLOR:
3=Black



PCB EDGE
B TYPE



UNLESS OTHERWISE SPECIFIED TOLERANCE	
ANG.	±5°
0.	±0.5
.0	±0.3
.00	±0.2
SCALE: AS SHOWN	UNIT: mm
DRAWN	12/03/13
CHECKED	/ /
APPROVED	/ /
SIZE	A4
REV.	X1

the vital component	
DRAWN NAME: USB 2.0 B SMT TYPE	
PRODUCT NO. 317DE04PSB0A	
FILE NAME: 317DE04PSB0A	

REV.	DESCRIPTION	DATE