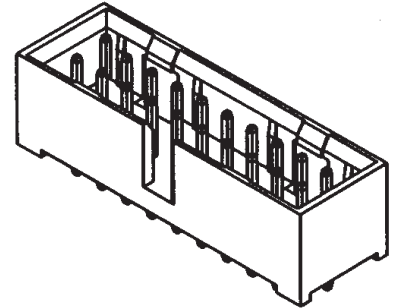
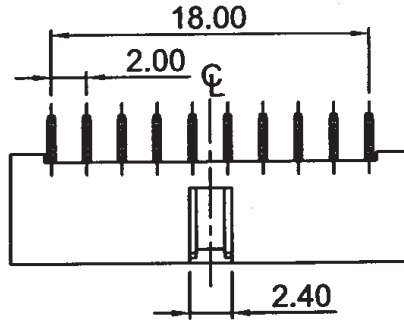
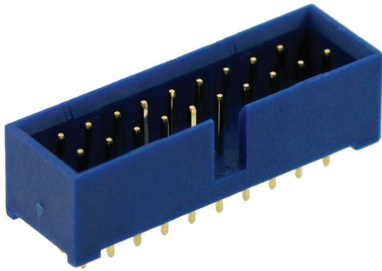


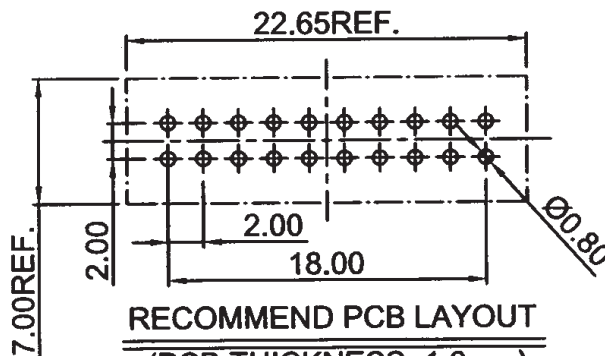
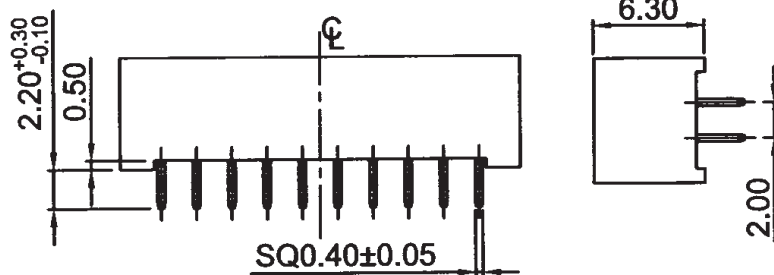
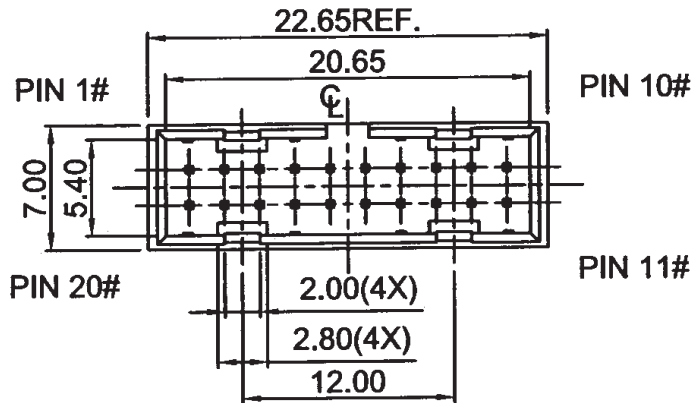
2.00mm pitch Straight PCB Mount USB3 Mother Board Header VUSB3-V-TH-19-MBH Series

2mm Pitch IDC style header for mating with USB3 internal IDC cable
Gold flash plated contacts and blue insulator



Specification:

- Insulator Material:**
Blue Thermoplastic UL94V-0
- Contact Material:**
Brass (C2700) Ni 50u" min. under plated
- Contact Plating:**
Gold flash all over Ni
- Current Rating:**
0.5 Amps per pin unmated max.
- DWV:**
500V AC R.M.S.
- Voltage:**
250V AC Max.
- Insulation Resistance:**
1000 MΩ min.
- Contact Resistance:**
20 mΩ Max.
- Operating Temperature:**
-45°C to +105°C
- Mating Durability:**
25 cycles min.
- Insertion Force:**
3.5kgf Max.
- Removal Force:**
1.5kgf min.
- Part Number:**
VUSB3-V-TH-19-MBH



RECOMMEND PCB LAYOUT
(PCB THICKNESS=1.6mm)
DEFULT TOLERANCES±0.05