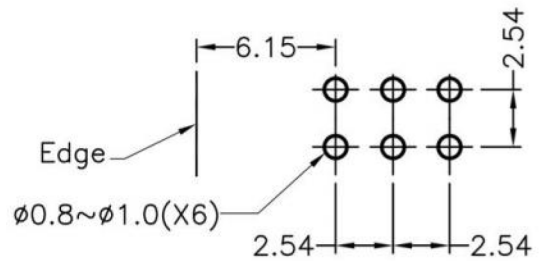
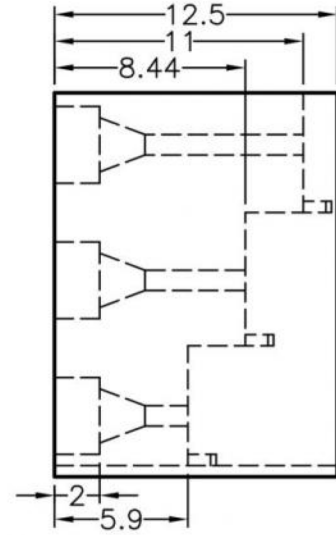
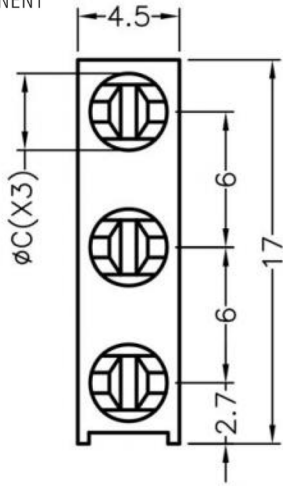


⚠ This dwg is for reference only, Actual dwg should be based on formal engineering dwg.



MOUNTING HOLE

C	L	P
3.3	3.0	3

L	Recommend Assembling LED Size
P	Number of Assembling LED



the **vital**
component

PART NUMBER		LED-330	SPEC. DWG.	
TITLE				
LED HOLDER				
MATERIAL			COLOR	
NYLON 66(UL) 94V-0			BLACK	
SIZE	SCALE	UNIT	CHECK	
A4	2:1	mm	Z.C	