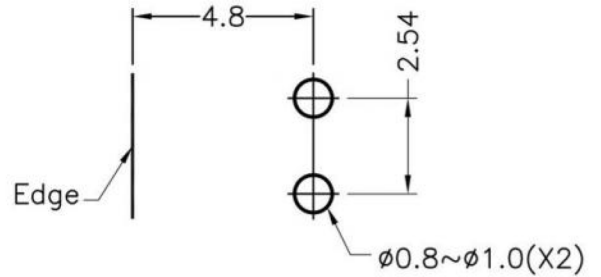
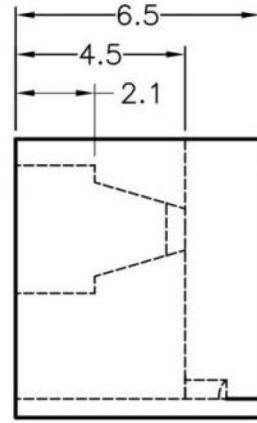
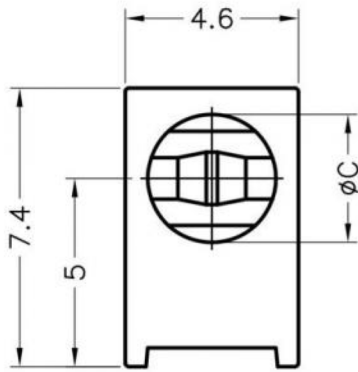




THE VITAL COMPONENT

⚠ This dwg is for reference only, Actual dwg should be based on formal engineering dwg.



MOUNTING HOLE

C	L	P
3.4	3.0	1

L	Recommend Assembling LED Size
P	Number of Assembling LED

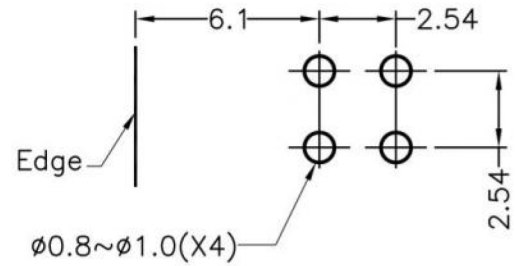
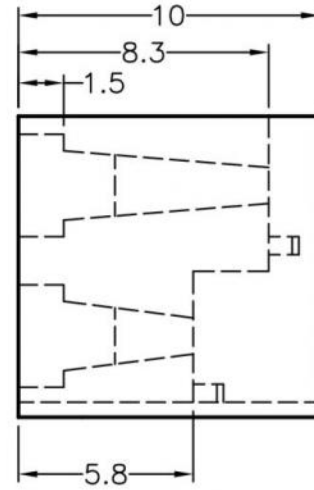
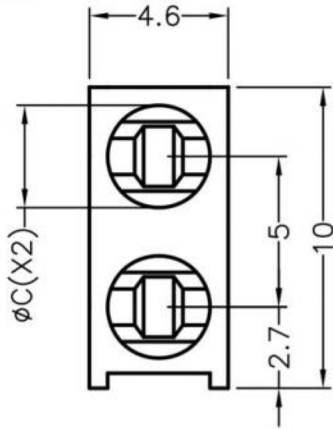
the **vital**
component

PART NUMBER		LED-301	SPEC. DWG.	
TITLE				
LED HOLDER				
MATERIAL			COLOR	
NYLON 66(UL) 94V-0			BLACK	
SIZE	SCALE	UNIT	CHECK	
A4	2:1	mm	Z.C	



THE VITAL COMPONENT

⚠ This dwg is for reference only, Actual dwg should be based on formal engineering dwg.



MOUNTING HOLE

C	L	P
3.4	3.0	2

L	Recommend Assembling LED Size
P	Number of Assembling LED

the **vital**
component

PART NUMBER		LED-308	SPEC. DWG.	
TITLE		LED HOLDER		
MATERIAL		NYLON 66(UL) 94V-0	COLOR	
			BLACK	
SIZE	SCALE	UNIT	CHECK	
A4	2:1	mm	Z.C	