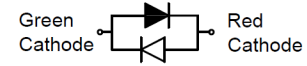
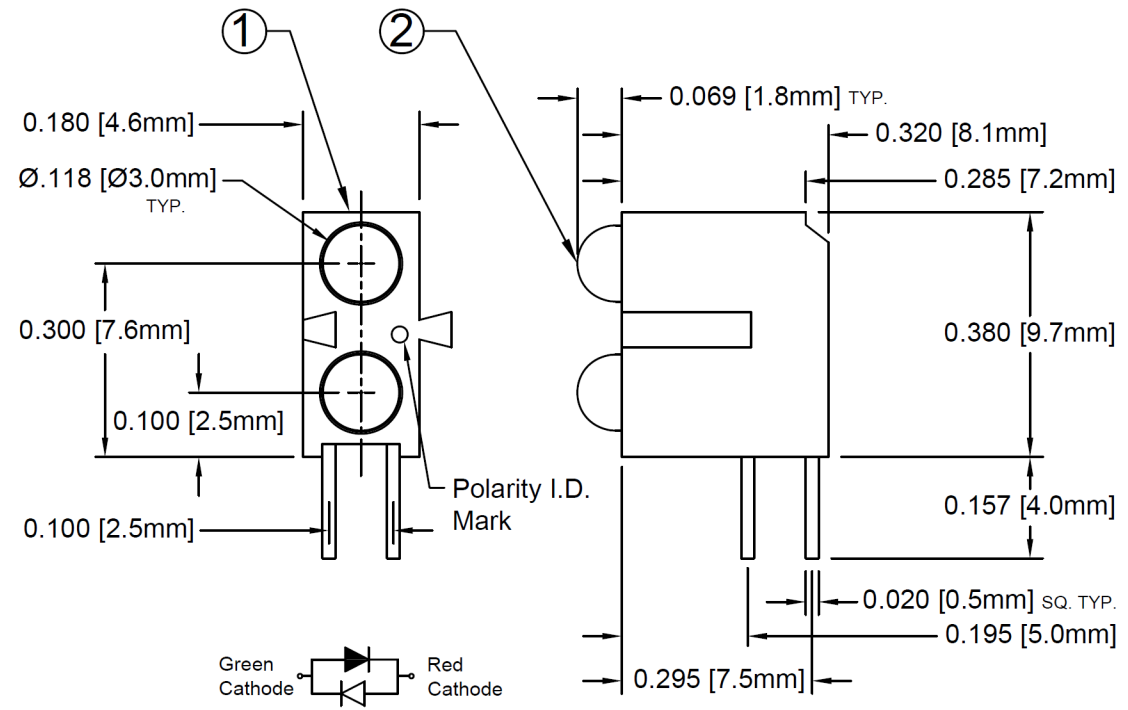
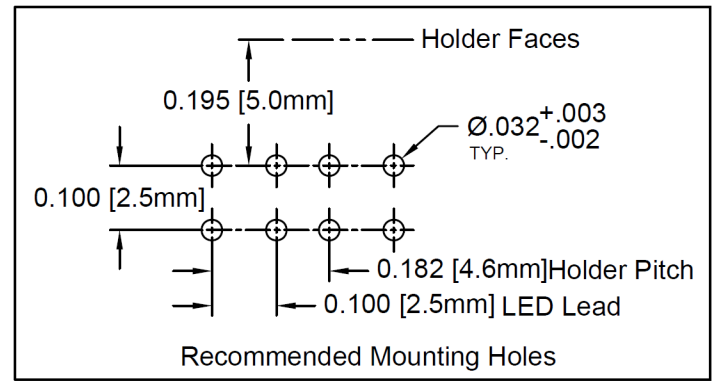


ITEM	Q'TY	PART NUMBER	PART DESCRIPTION
1	1	H-200C	T-1 (3mm) Bi-Level LED Holder, 90° Mount, Interlocking
2	2	3BC	T-1 (3mm) N-Flange Bi-Color LED



REV.	DESCRIPTION	DATE	APPROVED
A	Engineering Release	10/23/06	M. C.
B	Engineering Update w/o Changes	06/21/16	J. C.



LED Part No.	Chip			Lens Appearance	Absolute Max. Ratings				Electro-Optical Data @ 20mA			Viewing Angle (Deg)
	Material	Peak Wave Length λp (nm)	Emitted Color		Δλ (nm)	Pd (mW)	If (mA)	Peak If (mA)	Vf (V)		Iv (mcd)	
									TYP	MAX	TYP	
3BC	GaAsP/GaP	635	HE RED	WHITE DIFFUSED	45	80	30	150	2.0	2.6	30	45
	GaP/GaP	568	GREEN		30	80	30	150	2.2	2.6	30	45

ABSOLUTE MAXIMUM RATINGS (Ta=25° C)

OPERATING TEMPERATURE RANGE _____ -25° C - 85° C
 STORAGE TEMPERATURE _____ -30° C - 100° C
 LEAD SOLDERING TEMPERATURE(1/16" FROM BODY) _____ 260° C FOR 5 SECONDS

STANDARD TOLERANCE (UNLESS OTHERWISE SPECIFIED)		
DECIMALS	ANGULAR	
.X ± .1	X° ± 1°	TITLE: T-1 (3mm) INTERLOCKING 90° BI-LEVEL LED ASSY PART NO: H200CBC REVISION: B CAGE CODE : 32559 SHEET # 1 OF 1 <small>CAD GENERATED DOCUMENT. DO NOT MEASURE DRAWING.</small>
.XX ± .02		
.XXX ± .010		
DESIGNED: D. Beckman	DATE: 10/23/06	
CHECKED: T. Yin	DATE: 10/23/06	