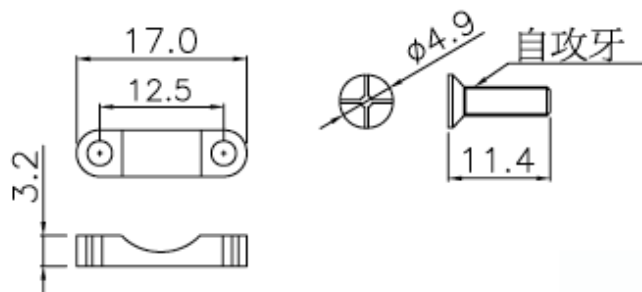
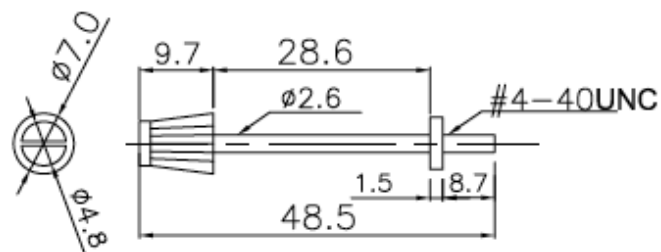


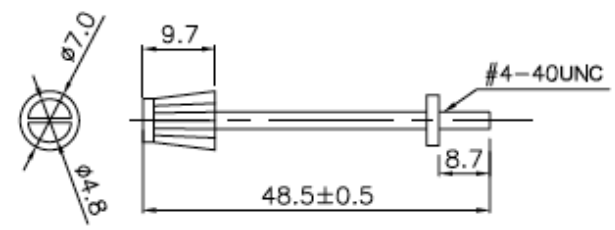
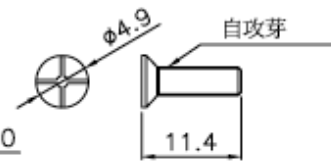
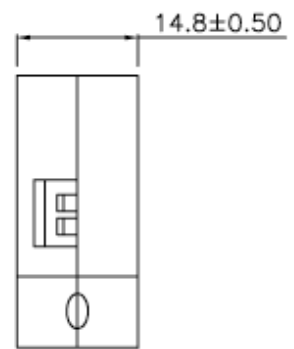
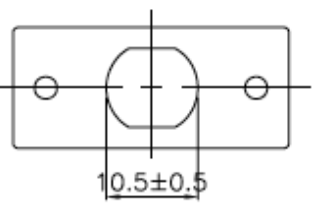
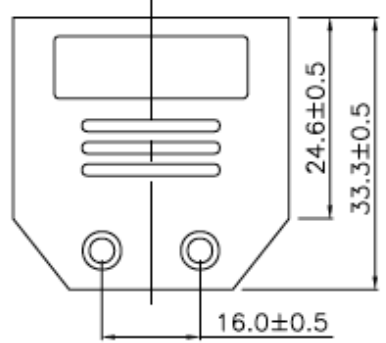
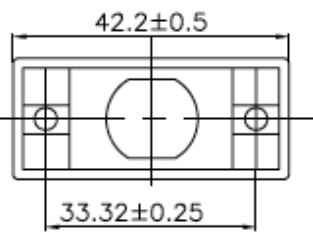
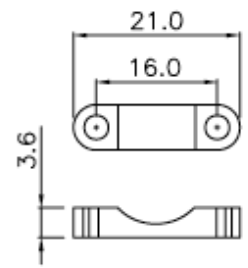
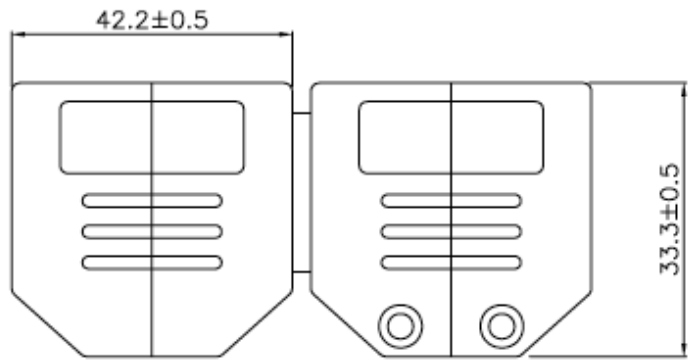
121-09-R

MATERIAL:
 INSULATOR : PP UL94HB
 SCREW: STEEL
 FINISHED : CHROMATE PLATED
 R=ROHS環保料件,
 TYPE OPTION:
 121=FOLDING TYPE
 (折疊式外殼系列)
 PARTS OPTION:
 T=LONG SCREW (長螺絲)
 INSULATOR COLOR
 B=BLACK (黑色)



UNLESS OTHERWISE
 SPECIFIED TOLERANCE
 ANG. ±5°
 0. ±0.5
 .0 ±0.3
 .00 ±0.2

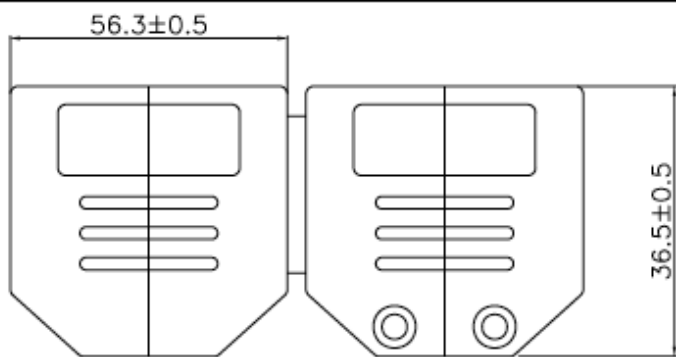
121-15-R



MATERIAL:
 INSULATOR : PP UL94HB
 SCREW: STEEL
 FINISHED : CHROMATE PLATED
 R=ROHS環保料件,
 TYPE OPTION:
 121=FOLDING TYPE
 (折疊式外殼系列)
 PARTS OPTION
 T=LONG SCREW (長螺絲)
 INSULATOR COLOR
 B=BLACK (黑色)

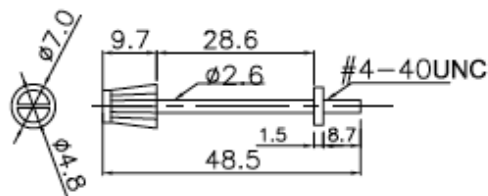
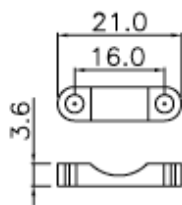
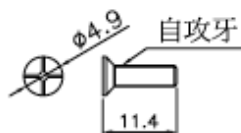
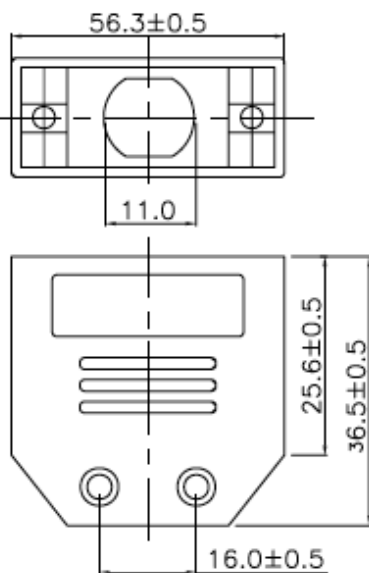
UNLESS OTHERWISE SPECIFIED TOLERANCE	
ANG.	$\pm 5^\circ$
0.	± 0.5
.0	± 0.3
.00	± 0.2





121-25-R

MATERIAL: INSULATOR : PP UL94HB
 SCREW: STEEL
 FINISHED : CHROMATE PLATED
 R=ROHS環保料件,
 TYPE OPTION:
 121=FOLDING TYPE
 (折疊式外殼系列)
 PARTS OPTION:
 T=LONG SCREW (長螺絲)
 INSULATOR COLOR
 B=BLACK (黑色)



UNLESS OTHERWISE
 SPECIFIED TOLERANCE

ANG.	±5°
0.	±0.5
.0	±0.3
.00	±0.2

VALCON
 QUALITY VALUE COMPONENTS