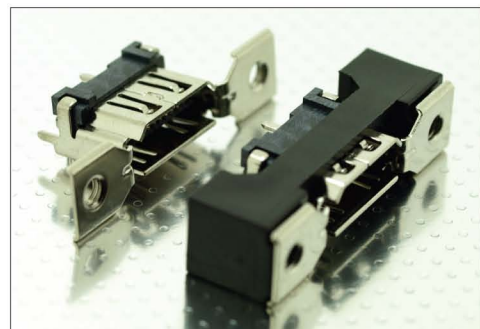


Vertical Surface Mount PCB HDMI Connectors 51V-019S-33-WN-Bx-R1 Series

With (B3) or without (B2) PCB Supports
RoHS Compliant



Specification for 51V-019S-33-WN-Bx-R1

Insulator & Support Material:
LCP UL94V-0 Black
Contact Material:
Brass T = 0.20mm
Shell Material:
Brass T = 0.30mm
Contact Plating:
Gold flash over Ni underplate
Voltage Rating:
40V

Current Rating:
0.5A
DWV:
750V AC for 1 minute
Insulation Resistance:
100MΩ min.
Contact Resistance:
30mΩ Max.
Operating Temperature:
-20°C to +85°C
Mating/Unmating Force:
44.1N Max. / 9.8Nmin. (10,000 Cycles)

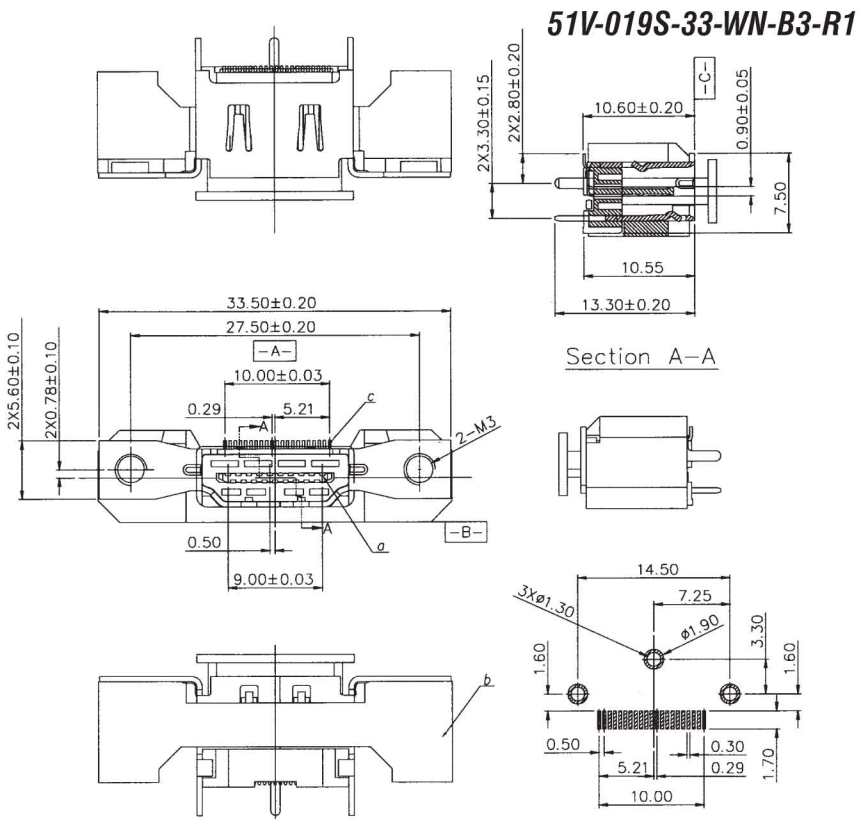
Ordering Information:

51V-019S-33-WN-B2-R1

Without PCB Supports

51V-019S-33-WN-B3-R1

With PCB Supports



51V-019S-33-WN-B2-R1

