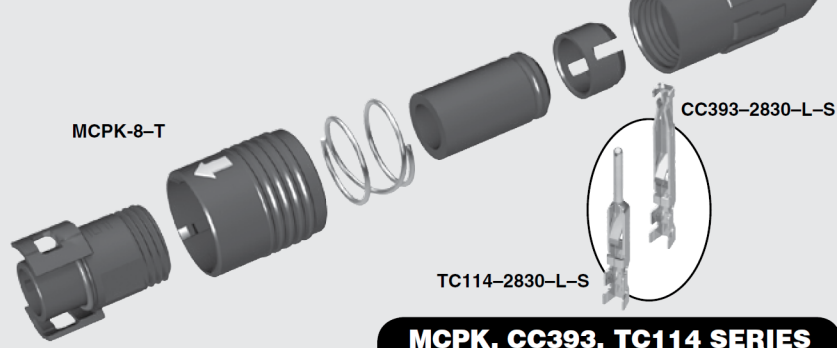




ACCLIMATE™



MCPK, CC393, TC114 SERIES

# 8 SERIES IP67 FIELD TERMINATION KIT

Mates with:  
MCR(K), MCP(K)

## SPECIFICATIONS

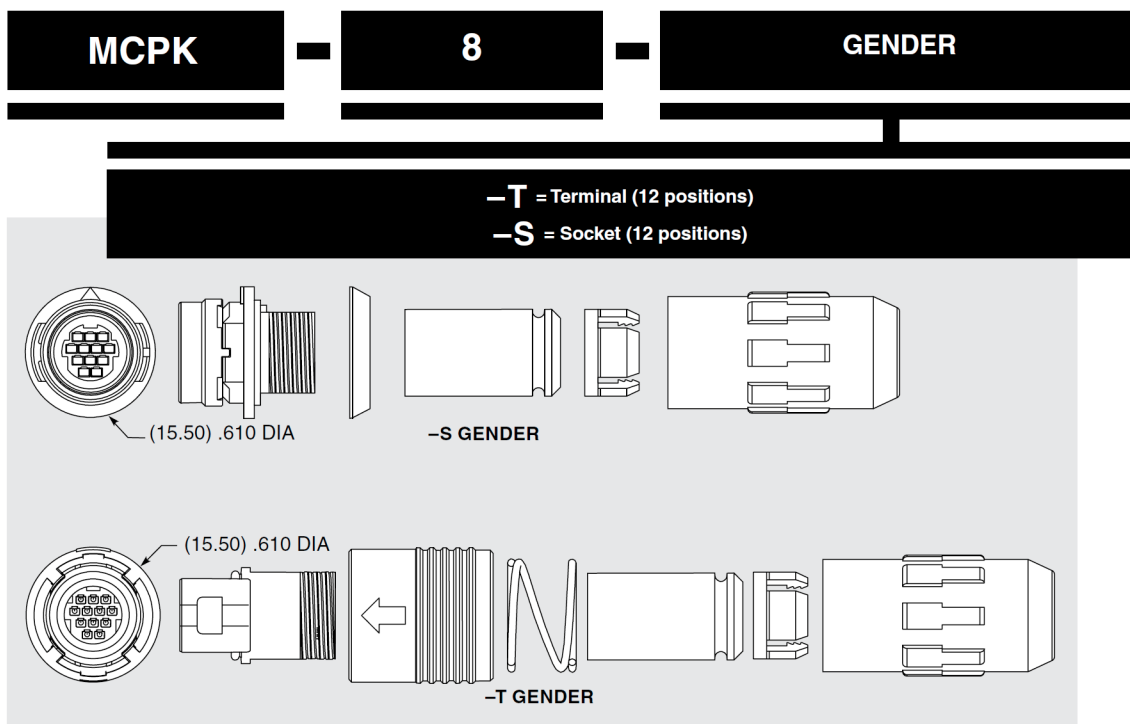
For complete specifications see [www.samtec.com?MCPK](http://www.samtec.com?MCPK)

- Insulator Material:** PPS
- Terminal Material:** Phosphor Bronze
- Contact Material:** Phosphor Bronze
- Operating Temp Range:** -20 °C to +80 °C
- Gasket Material:** Silicone
- Spring Material:** Stainless Steel
- Coupling Ring Spacer:** PBT
- Cable Clamp:** POM
- RoHS Compliant:** Yes

## DUST CAPS

- -S (Socket) = DCA-MCR-8
  - -T (Terminal) = DCA-MCP-8
- Visit [sealedio.samtec.com](http://sealedio.samtec.com) for a complete list of sealed systems

**Note:** Samtec's MCPK Series is dual sourced by Hirose Electric Co., LTD.



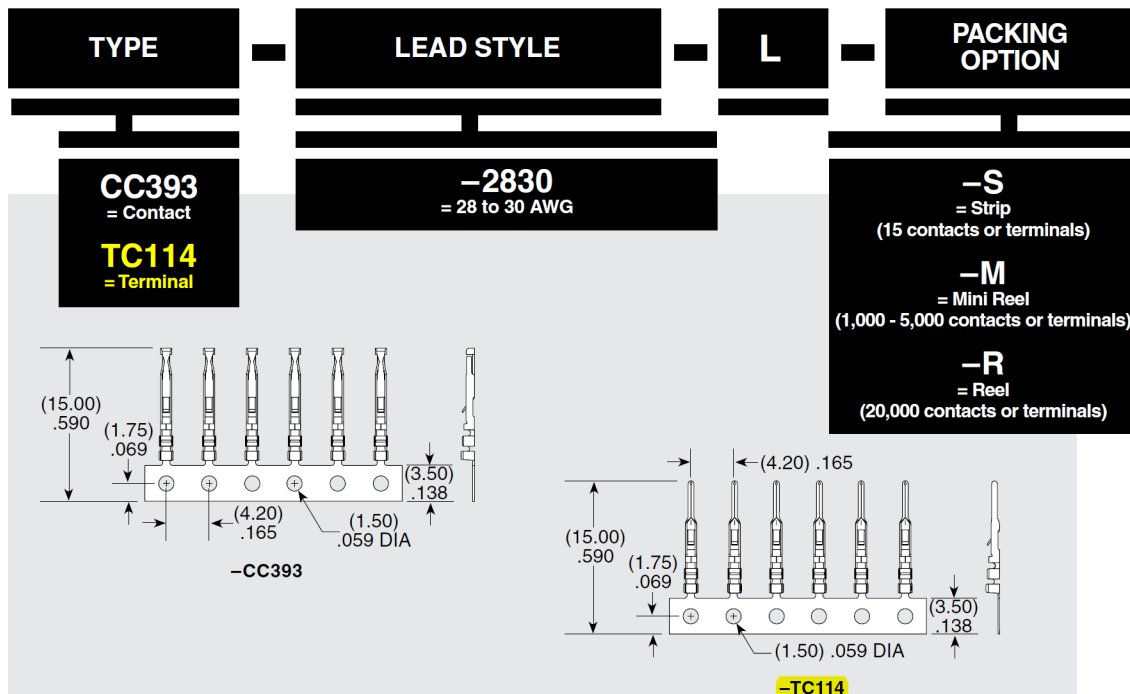
## SPECIFICATIONS

For complete specifications see [www.samtec.com?CC393](http://www.samtec.com?CC393) or [www.samtec.com?TC114](http://www.samtec.com?TC114)

**Plating:**  
10 μ" (0.25 μm) Gold on contact

## TOOLING

- Hand tool:  
CAT-HT-393-2430-13
- Mini Applicator  
(28-30 AWG):  
CAT-MC-393-2830-XX-01
- Extraction Tool:  
CAT-EX-MCX-8-01



Due to technical progress, all designs, specifications and components are subject to change without notice.

[WWW.TOBY.CO.UK](http://WWW.TOBY.CO.UK)

All parts within this catalog are built to Samtec's specifications.  
Customer specific requirements must be approved by Samtec and identified in a Samtec customer-specific drawing to apply.