

DO NOT SCALE FROM THIS PRINT

DESIGNED & DIMENSIONED IN MILLIMETERS [INCHES]

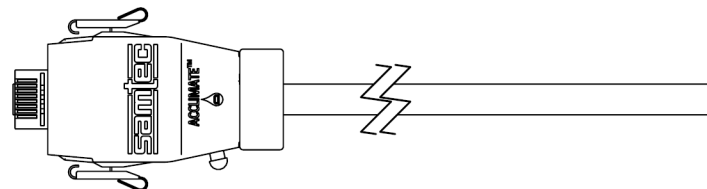
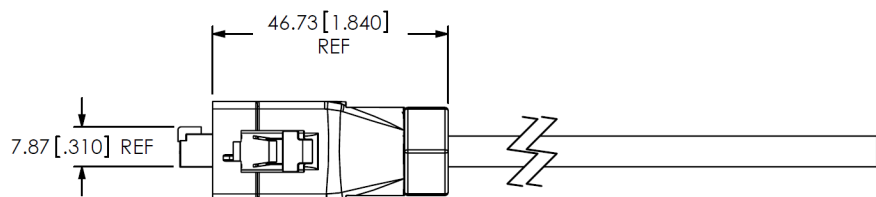
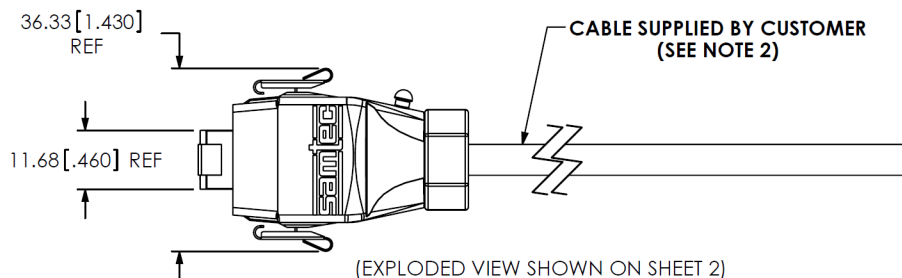


FIG. 1
RCEF-G-XX SHOWN
(SEE FIG. 2 ON SEET 2 FOR EXPLODED VIEW)

RCEF-X-XX

PLATING SPECIFICATION
-G: 0.00127 [.000050]
GOLD ON CONTACT AREAS
NICKEL ON SHELL

STYLE
-01: FOR CABLE OD RANGE OF 5.00 [.197]-5.75 [.226] (YELLOW SEALING GLAND)
-02: FOR CABLE OD RANGE OF 5.75 [.226]-6.50 [.256] (ORANGE SEALING GLAND)

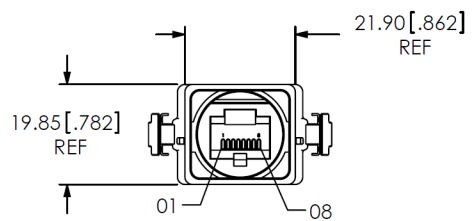
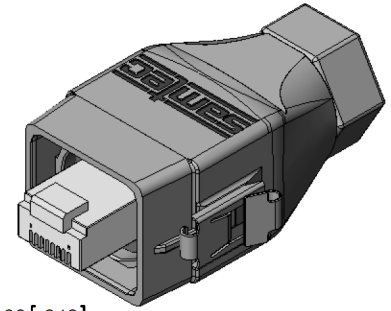


TABLE 2: PIN-OUT

POS	COLOR	
01	WHITE/ORANGE	TWISTING
02	ORANGE	
03	WHITE/GREEN	TWISTING
04	BLUE	
05	WHITE/BLUE	TWISTING
06	GREEN	
07	WHITE/BROWN	TWISTING
08	BROWN	

TABLE 1: BOM

PART NUMBER	ITEM	MATERIAL	QTY
SUB-MODP-01-8P8C-S-01	ETHERNET PLUG	RJ45	1
SCN-17-02	CABLE NUT	NYLON	1
RCEF-B-01	HOUSING WITH LATCHES	NYLON	1
RCEF-B-02	ETHERNET SHROUD	NYLON	1
SG-17-XX	SEALING GLAND	NEOPRENE	1
NCC-17-01	COMPRESSION CAGE	NYLON	1
RCEF001	INSTRUCTIONS	PAPER	1

[B]
[B]
[B]

NOTES:
1. RECOMMENDED CABLE SHOULD BE CAT5E WITH A CABLE DIAMETER RANGE OF 5.0-6.5MM.
2. KIT TO BE SHIPPED IN HEAT-SEALED, PINK POLY BAGS. SEE TABLE 1 FOR BILL OF MATERIALS.

UNLESS OTHERWISE SPECIFIED, DIMENSIONS ARE IN MILLIMETERS. TOLERANCES ARE: DECIMALS ANGLES X.X: ±0.3 [.01] 2° X.XX: ±0.13 [.005] X.XXX: ±0.051 [.0020]	PROPRIETARY NOTE THIS DOCUMENT CONTAINS INFORMATION CONFIDENTIAL AND PROPRIETARY TO SAMTEC, INC. AND SHALL NOT BE REPRODUCED OR TRANSFERRED TO OTHER DOCUMENTS OR DISCLOSED TO OTHERS OR USED FOR ANY PURPOSE OTHER THAN THAT WHICH IT WAS OBTAINED WITHOUT THE EXPRESSED WRITTEN CONSENT OF SAMTEC, INC.	 520 PARK EAST BLVD, NEW ALBANY, IN 47150 PHONE: 812-944-6733 FAX: 812-948-5047 e-Mail: info@SAMTEC.com code 55322
c:\enterprisevault\DWG\MISC\MKTG\RCEF-X-XX-MKT.SLDDRW		BY: B HARPENAU 12/03/2009 SHEET 1 OF 2

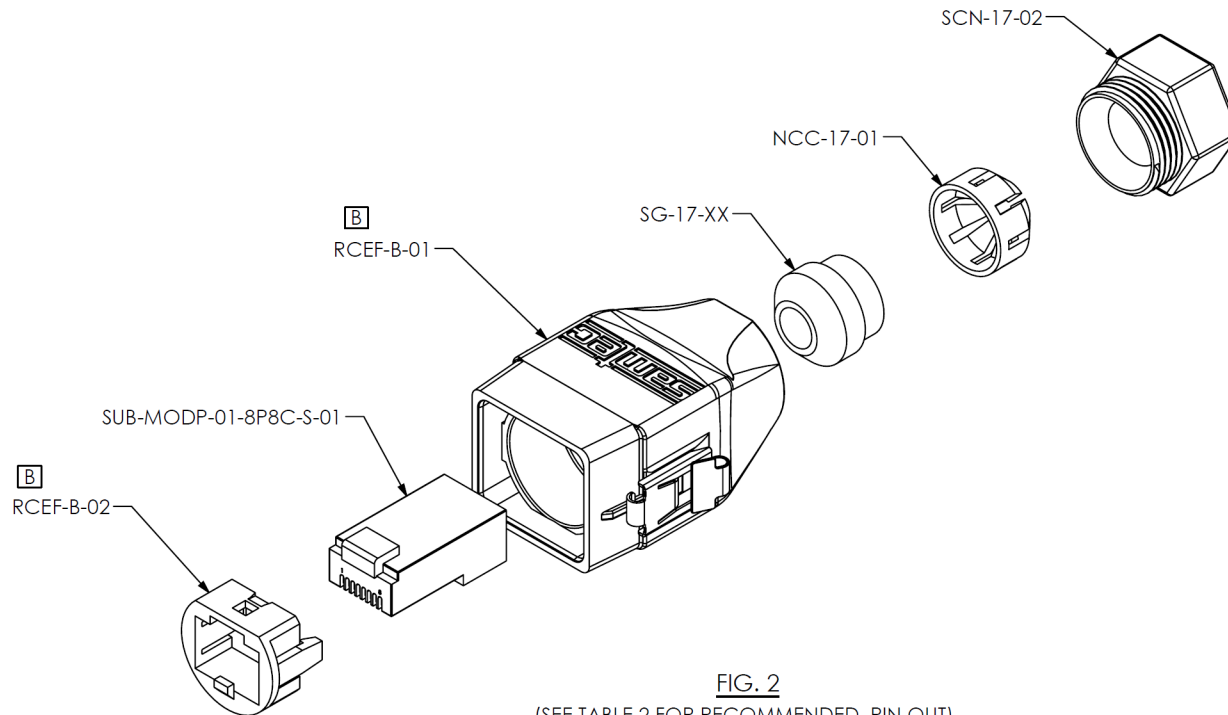


FIG. 2
(SEE TABLE 2 FOR RECOMMENDED PIN OUT)



<p>PROPRIETARY NOTE THIS DOCUMENT CONTAINS INFORMATION CONFIDENTIAL AND PROPRIETARY TO SAMTEC, INC. AND SHALL NOT BE REPRODUCED OR TRANSFERRED TO OTHER DOCUMENTS OR DISCLOSED TO OTHERS OR USED FOR ANY PURPOSE OTHER THAN THAT WHICH IT WAS OBTAINED WITHOUT THE EXPRESSED WRITTEN CONSENT OF SAMTEC, INC.</p> <p>DO NOT SCALE DRAWING</p> <p>SHEET SCALE: 1:1</p>	<p>520 PARK EAST BLVD, NEW ALBANY, IN 47150 PHONE: 812-944-6733 FAX: 812-948-5047 e-Mail info@SAMTEC.com code 55322</p>
	<p>DESCRIPTION: RECTANGULAR FIELD TERMINATED ETHERNET</p> <p>DWG. NO. RCEF-X-XX</p>
	<p>BY: B HARPENAU 12/03/2009 SHEET 2 OF 2</p>