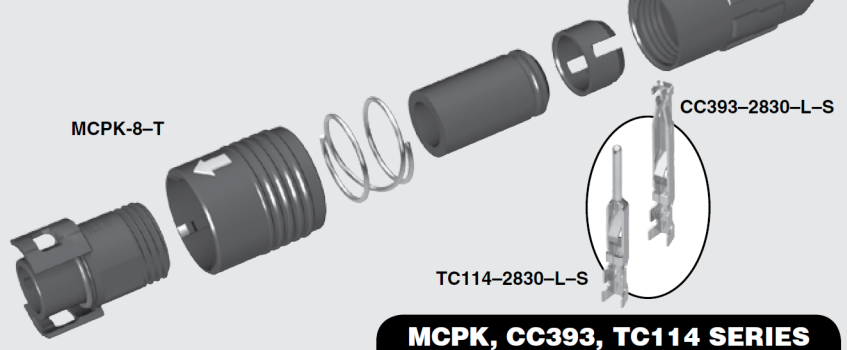




ACCLIMATE™



MCPK, CC393, TC114 SERIES

8 SERIES IP67 FIELD TERMINATION KIT

Mates with:
MCR(K), MCP(K)

SPECIFICATIONS

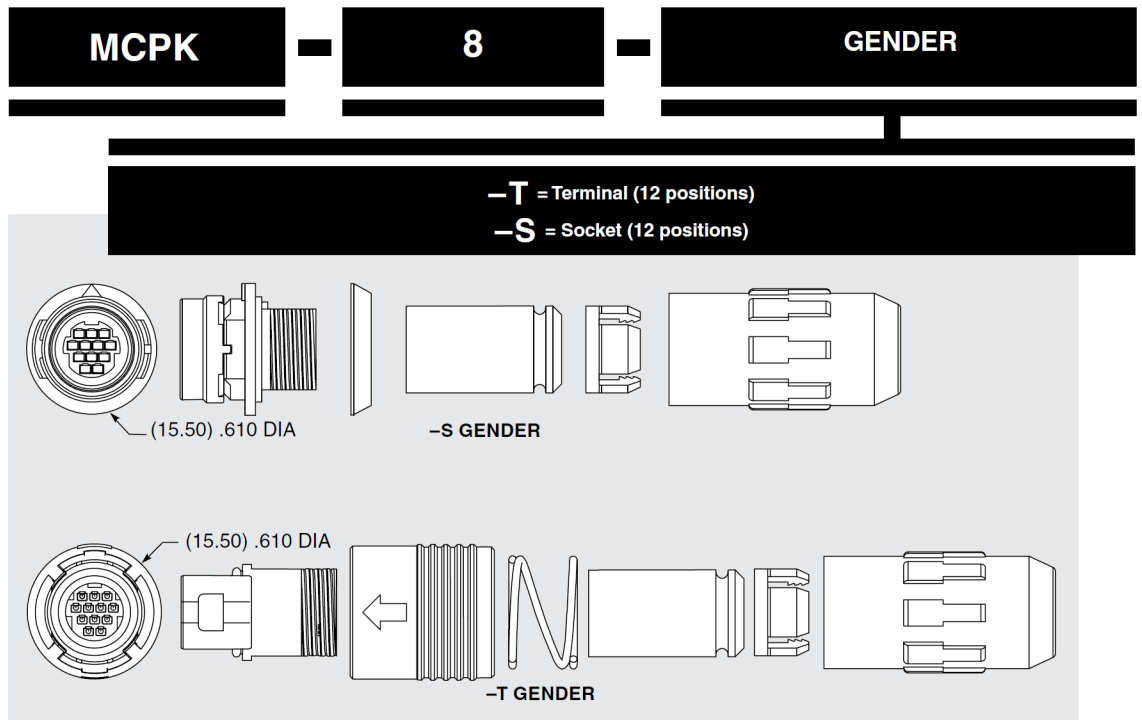
For complete specifications see www.samtec.com?MCPK

- Insulator Material:** PPS
- Terminal Material:** Phosphor Bronze
- Contact Material:** Phosphor Bronze
- Operating Temp Range:** -20 °C to +80 °C
- Gasket Material:** Silicone
- Spring Material:** Stainless Steel
- Coupling Ring Spacer:** PBT
- Cable Clamp:** POM
- RoHS Compliant:** Yes

DUST CAPS

- S (Socket) = DCA-MCR-8
 - T (Terminal) = DCA-MCP-8
- Visit sealedio.samtec.com for a complete list of sealed systems

Note: Samtec's MCPK Series is dual sourced by Hirose Electric Co., LTD.



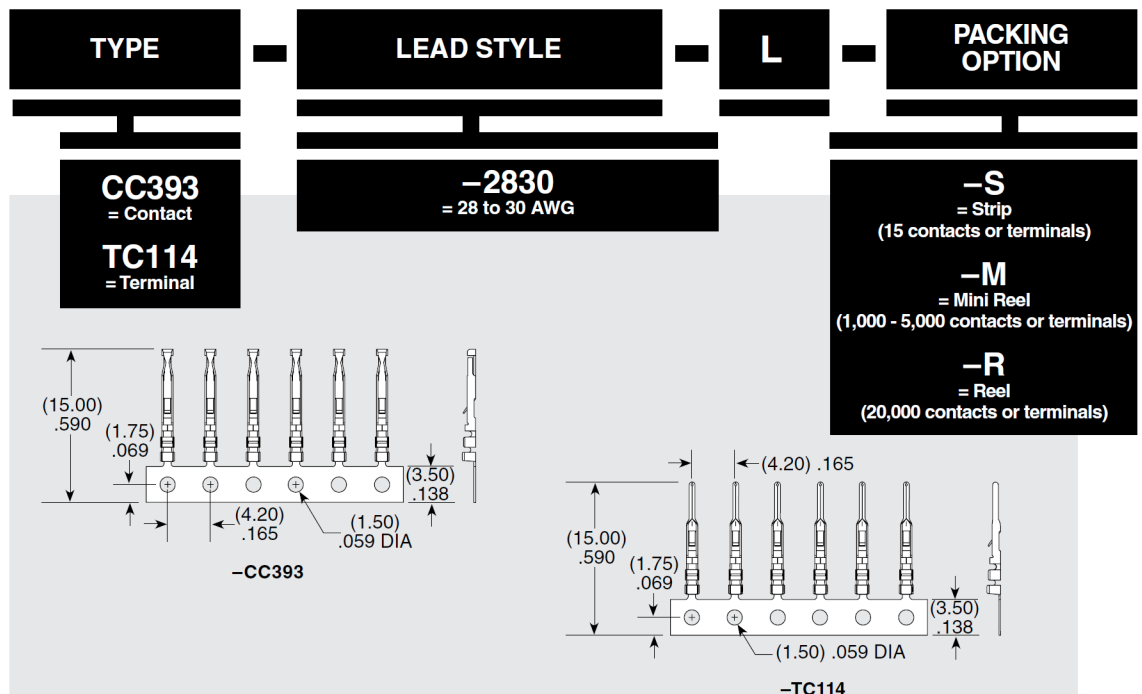
SPECIFICATIONS

For complete specifications see www.samtec.com?CC393 or www.samtec.com?TC114

Plating: 10 μ" (0.25 μm) Gold on contact

TOOLING

- Hand tool: CAT-HT-393-2430-13
- Mini Applicator (28-30 AWG): CAT-MC-393-2830-XX-01
- Extraction Tool: CAT-EX-MCX-8-01



Due to technical progress, all designs, specifications and components are subject to change without notice.

WWW.TOBY.CO.UK

All parts within this catalog are built to Samtec's specifications. Customer specific requirements must be approved by Samtec and identified in a Samtec customer-specific drawing to apply.