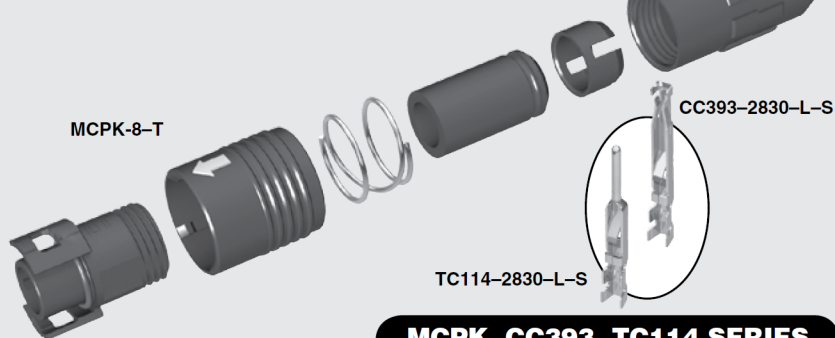




ACCLIMATE™



MCPK, CC393, TC114 SERIES

# 8 SERIES IP67 FIELD TERMINATION KIT

Mates with:  
MCR(K), MCP(K)

## SPECIFICATIONS

For complete specifications see [www.samtec.com?MCPK](http://www.samtec.com?MCPK)

- Insulator Material:** PPS
- Terminal Material:** Phosphor Bronze
- Contact Material:** Phosphor Bronze
- Operating Temp Range:** -20 °C to +80 °C
- Gasket Material:** Silicone
- Spring Material:** Stainless Steel
- Coupling Ring Spacer:** PBT
- Cable Clamp:** POM
- RoHS Compliant:** Yes

## DUST CAPS

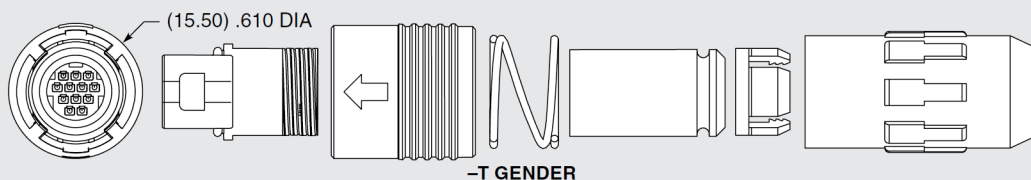
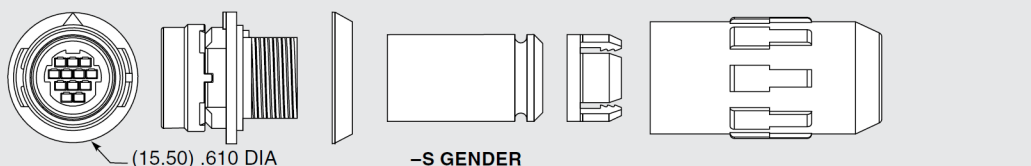
- S (Socket) = DCA-MCR-8
  - T (Terminal) = DCA-MCP-8
- Visit [sealedio.samtec.com](http://sealedio.samtec.com) for a complete list of sealed systems

**Note:** Samtec's MCPK Series is dual sourced by Hirose Electric Co., LTD.



-T = Terminal (12 positions)

-S = Socket (12 positions)



## SPECIFICATIONS

For complete specifications see [www.samtec.com?CC393](http://www.samtec.com?CC393) or [www.samtec.com?TC114](http://www.samtec.com?TC114)

**Plating:** 10 μ" (0.25 μm) Gold on contact

## TOOLING

- Hand tool: CAT-HT-393-2430-13
- Mini Applicator (28-30 AWG): CAT-MC-393-2830-XX-01
- Extraction Tool: CAT-EX-MCX-8-01



CC393  
= Contact

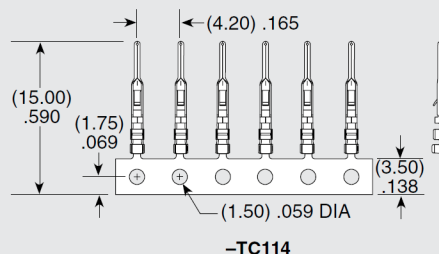
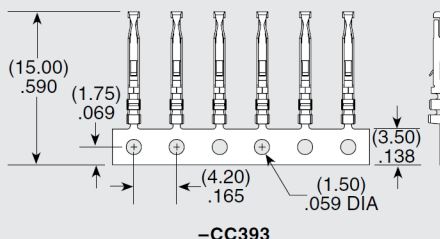
TC114  
= Terminal

-2830  
= 28 to 30 AWG

-S  
= Strip  
(15 contacts or terminals)

-M  
= Mini Reel  
(1,000 - 5,000 contacts or terminals)

-R  
= Reel  
(20,000 contacts or terminals)



Due to technical progress, all designs, specifications and components are subject to change without notice.

the vital component

All parts within this catalog are built to Samtec's specifications.

Customer specific requirements must be approved by Samtec and identified in a Samtec customer-specific drawing to apply.