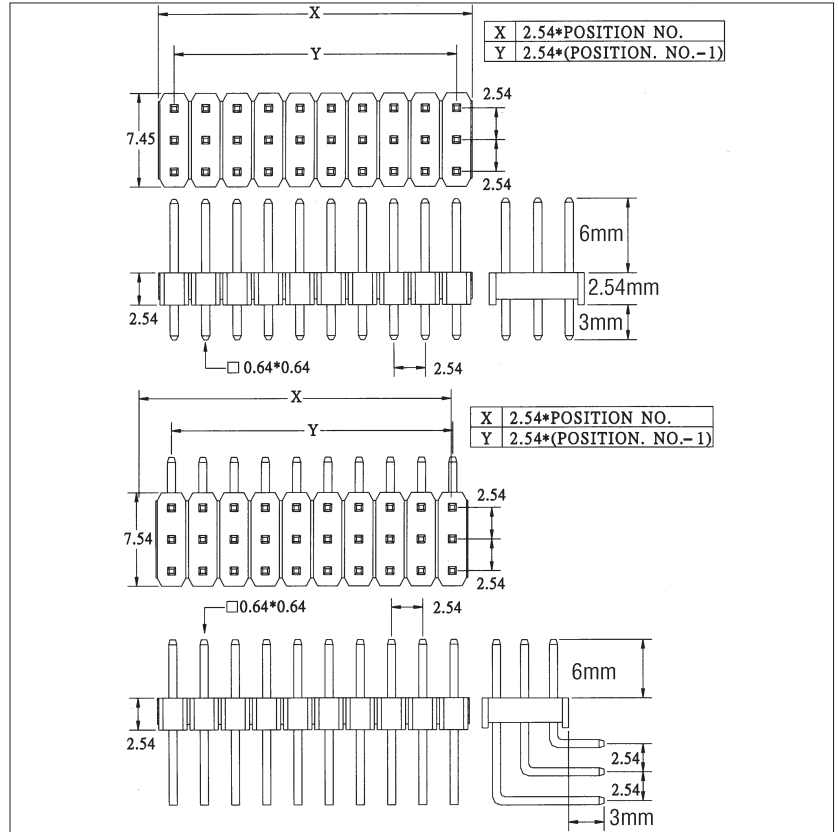
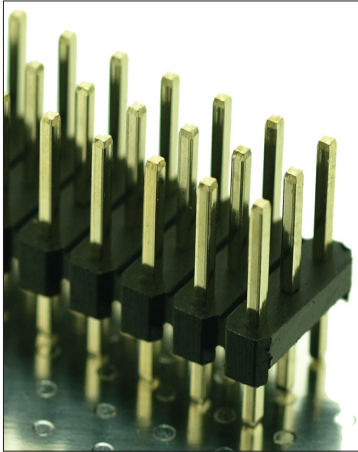


2.54mm Pitch Triple Row Through Board Straight & Right Angle PCB Mount Header THT-xx-R-yy Series

2.54mm Pin Pitch & 2.54mm Cross Pitch
Gold Flash Plated Contacts
From 3x3 to 3x40 Positions



Specification for THT-xx-R-yy Series

Contact Material:	Brass
Contact Plating:	Gold Flash Plated
Body:	PBT UL94V-0 Rated Black
Rated Current:	3A - DWV - AC500V
Insulation Resistance:	5000 MΩ Max.
Operating Temperature:	-40°C to +105°C

Ordering Information for THT-xx-R-yy Series

THT - xx - R - yy
1 2

Option 1 (xx) Number of Positions per row
03 = 3x3 to
40 = 3x40

Option 2 (yy) Lead Style (Leave blank for straight type)
RA = Right Angle Mount

Please note: Some lengths, styles & options are non-standard, non-returnable and may be subject to minimum order quantities.