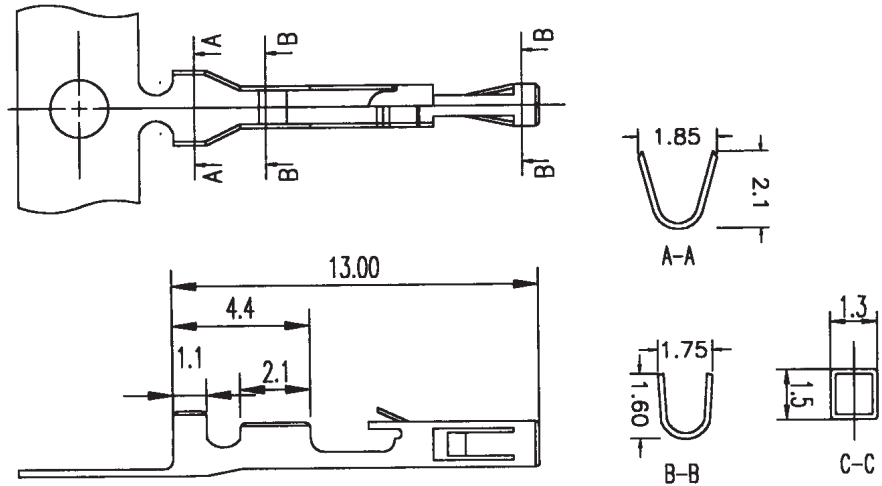


**2.54mm Pitch Reeled & Loose Crimps - 1820-TGB (Reeled) & 1820-TGB-L (Loose) Series**

15,000 per reel MOQ or loose (on bandolier) with no MOQ  
Phosphore bronze Tin with selective gold flash plated contacts  
Mates with Valcon 1820-Hxx series crimp housings



**Ordering Information:**

**1820-TGB (Reeled 15,000 MOQ per reel)\***  
**1820-TGB-L (Loose)\***

*\*Currently sold as loose type on bandolier*

**Specification:**

Contact Material:	Phosphor Bronze
Contact Plating:	Tin with selective gold flash
Current Rating:	3 Amp
DWV:	1000V AC for 1 minute (with housing)
Insulation Resistance:	1000 MΩ min.
Operating Temperature:	-40°C to +105°C
Wire Type:	AWG 22 to 30 min.

*Mates with 1820-Hxx housings*