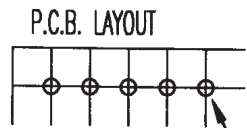
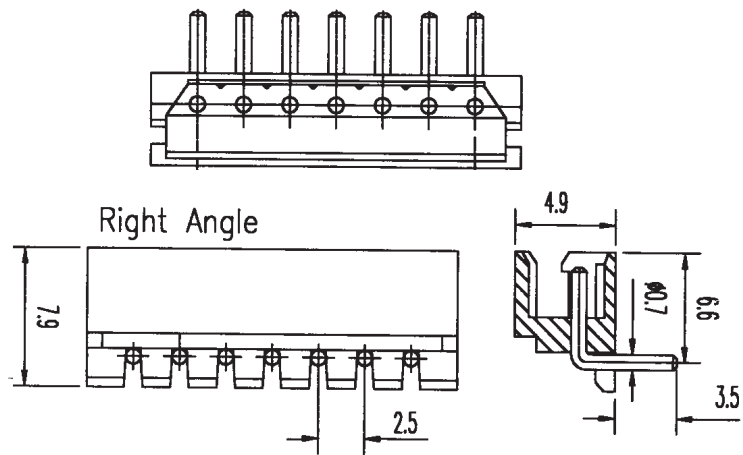
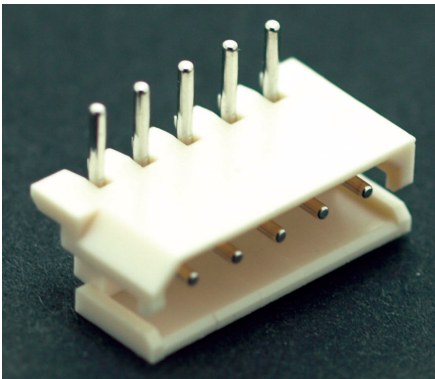
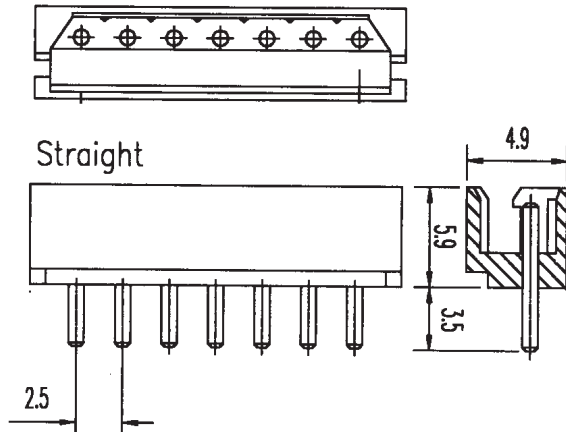
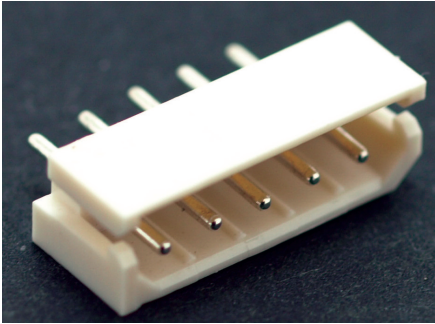


**2.50mm Pitch PCB Mount Straight QH250-xxS-010 or Right Angle Header QH250-xxR-010**

Straight or right angle PCB mount  
Mates with QH250-xxH series  
Shrouded single-in-line (SIL) headers  
UL Approval no ECBT2.E182481



P.C.B. Thickness 0.8~1.6mm  
P.C.B. Hole dia.  $\varnothing 0.9\text{mm} \pm 0.05$

**Ordering Information:**

**QH250-xxS-010 - Straight PCB Mount**  
**QH250-xxR-010 - Right Angle PCB Mount**  
**1**

**Option 1**      **xx = Number of positions**  
                    **02 to 18\***

**Specification:**

Body Material/Colour:	Nylon 66 UL94V-0 Baige
Contact Material:	Brass - Tin plated
Current Rating:	3 Amps
Rated Voltage:	250V AC/DC
DWV:	1000V AC for 1 minute
Insulation Resistance:	1000M $\Omega$ min.
Operating Temperature:	-25°C to +85°C
Approvals:	UL Approval no ECBT2.E182481

Please Note - a minimum order quantity (MOQ) may apply to some sizes - please check online for current stock