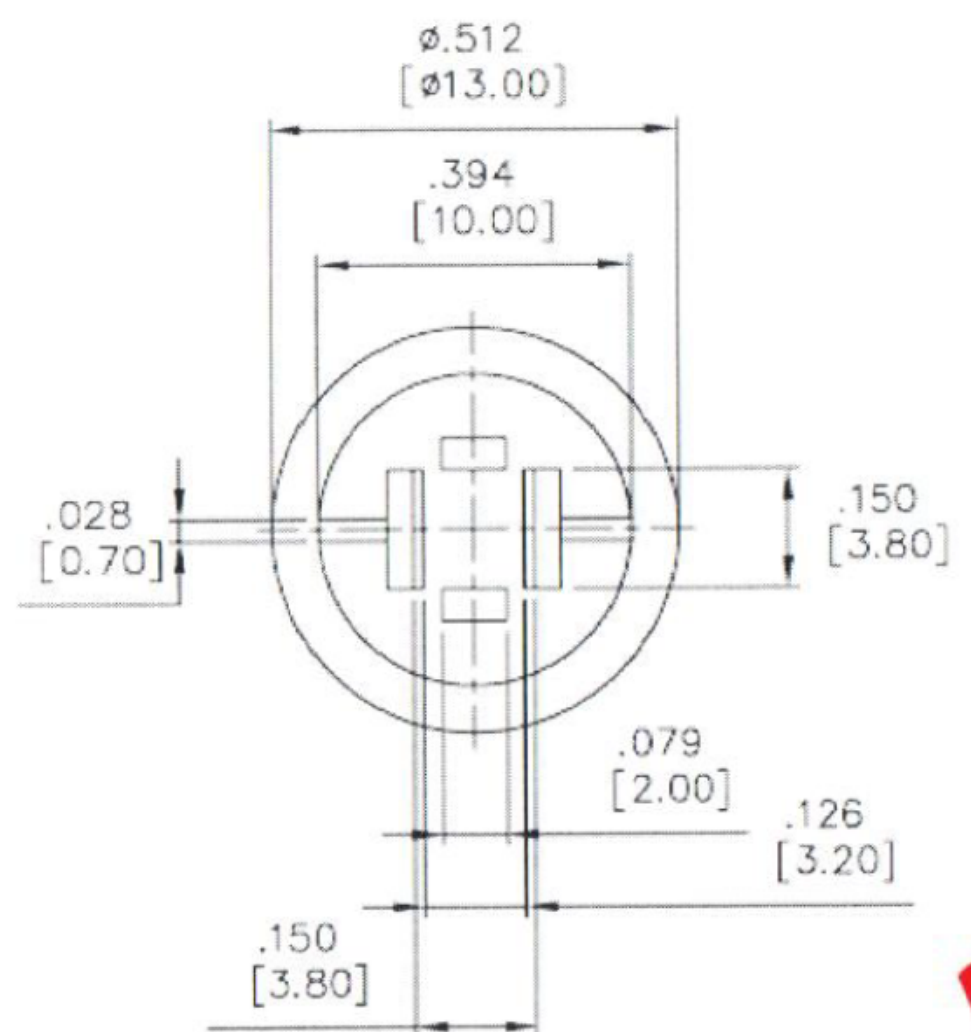
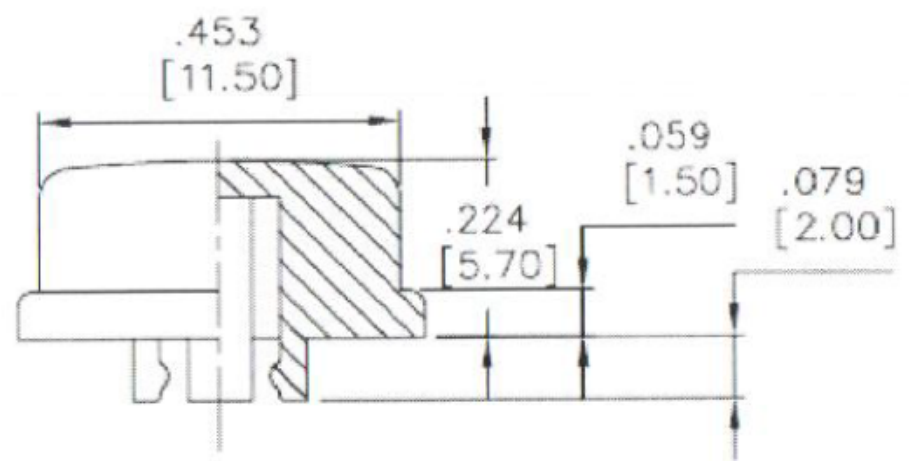


| | | | |
|------------|-------------------|-------------|---------------|
| REV. 更改 | DESCRIPTION 說明 | ENG. 修改人 | APPROVE 審核 |
| | | | |



| PART NO. | "x" COLOR | A TYPE |
|----------------|-----------|--------|
| 1273-XA CAP | 2=BLACK | ROUND |
| | 3=RED | |
| | 5=YELLOW | |
| | 6=GREEN | |
| | 7=BLUE | |
| | 9=GRAY | |



VALCON™

QUALITY VALUE COMPONENTS

