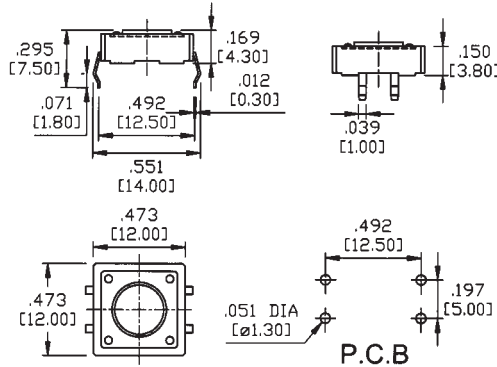
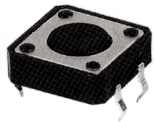


**Flat Type PCB Mount 12 x 12mm Tact Switches**

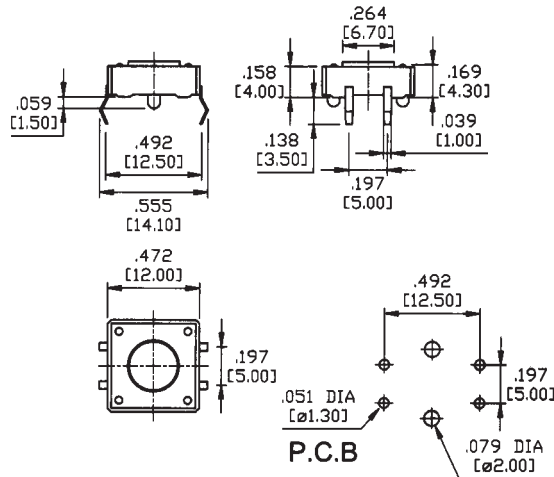
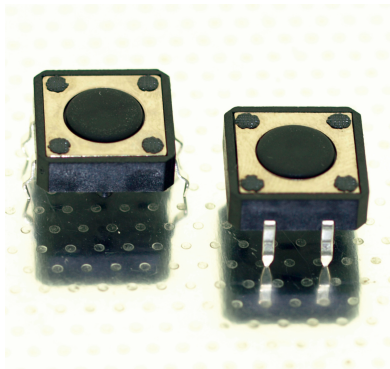
**VS-1213-67-xxx & VS-1243-67-xxx Series**

4.30mm overall height profile (VS-1243 series with PCB location pegs)

2 types of operating force (OF) 160gf & 260gf



**VS-1213-67**



**VS-1243-67-xxx**

With PCB location pegs

**Ordering Information (operating force):**

**VS-1213-67 (160gf)**

With PCB location pegs

**VS-1243-67-160 (160gf)**

**VS-1243-67-260 (260gf)**

**Specification:**

Contact Rating:	50mA 12V DC
Insulation Resistance:	100MΩ Max. @500VDC
Contact Resistance:	100mΩ at 1A 2-4VDC
Withstanding Voltage:	100VAC RMS 1 Minute
Operating Temperature:	-25°C to +70°C at 60% max humidity
Endurance:	10000 cycles !@ 10 cpm
Total Travel:	0.25mm
Material:	Nylon 66 (Black)
Cover:	Brass
Terminal:	Brass
Contact plating:	Silver plated copper
O-Ring:	Silicon