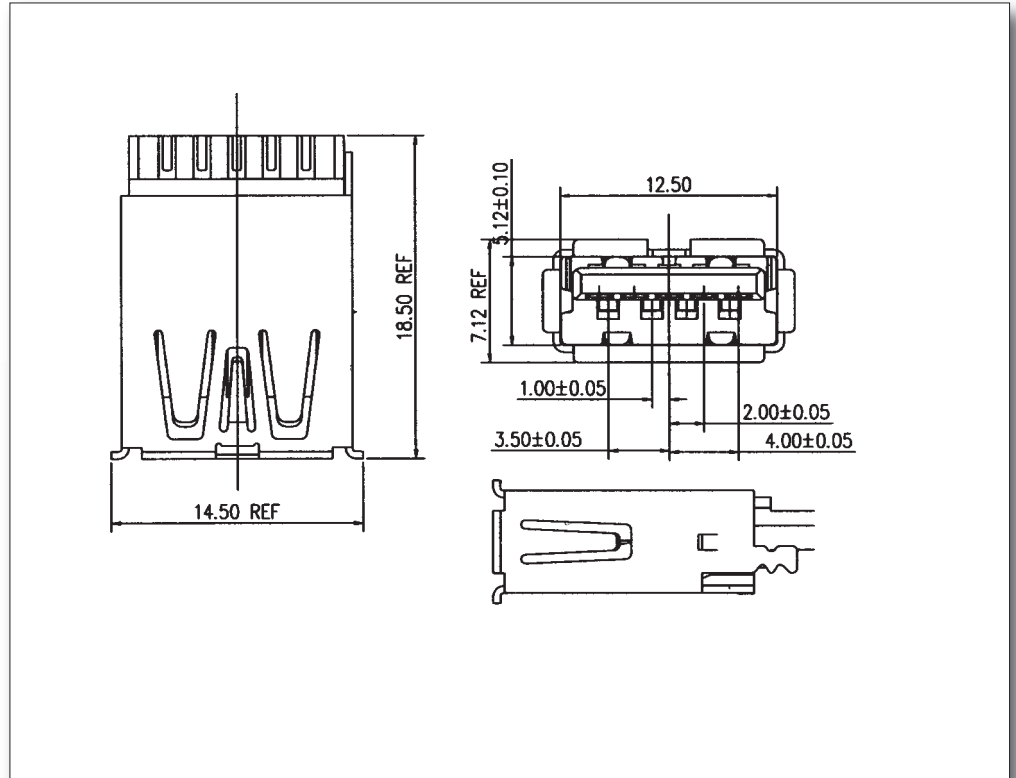
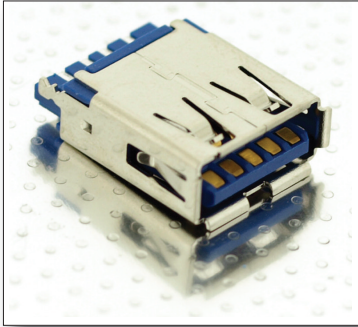


USB3.0 Cable Mount Female A-Type Cable End
VUSB3-A-S-G-CM Series

Blue plastic inserts with gold (15 micron) plated contacts
Mates with Toby VUSB3 A-Type PCB Male Connectors & USB3-UL20276-28-BL-xxM Wire



Ordering Information for VUSB3-A-S-G-CM Series

VUSB3-A-S-G-CM

Specification for VUSB3-A-S-G-CM Series

Contact Material:	Copper Alloy
Contact Plating:	15 micron Gold Plated
Body (Insert):	PBT UL94V-0 Rated Blue
Shell Material:	Copper Alloy (Ni 80u" plated)
Rated Current:	1.8A
DWV -	AC100V 0.5ma 60s
Voltage Rating:	30V
Insulation Resistance:	100 MΩ Max.
Contact Resistance:	30 mΩ min.
Operating Temperature:	-55°C to +85°C
Mating/Unmating Force:	35N max. / 10N min.