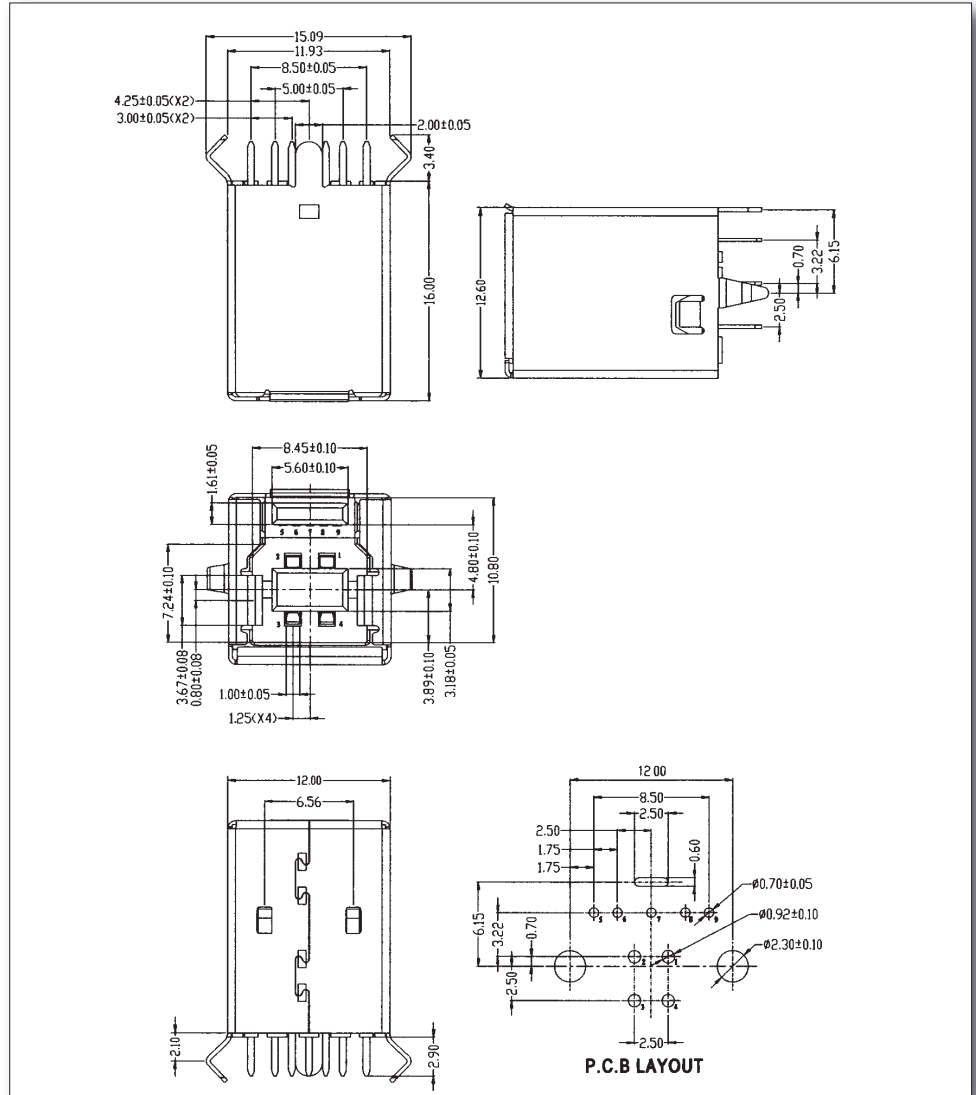
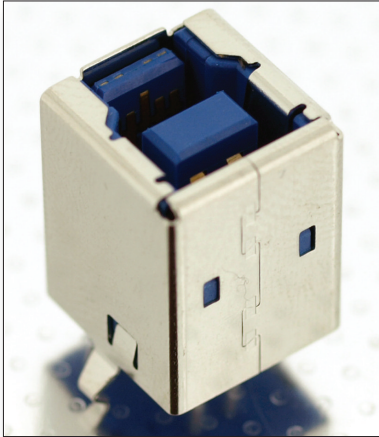


## USB3 Through Board vertical Mount B-Type Receptacle VUSB3-B-S-G-TB-V Series

Approved UBSB3.0 standard with blue plastic insert  
Gold (15 micron) plated contact and tin plated shells  
Mates with USB3 B-Type male connectors & cables



### Ordering Information

Part Number  
**VUSB3-B-S-G-TB-V**

### Specification for VUSB3-B-S-G-TB-V Series

Contact Material:	Phosphor Bronze (5000 cycle durability)
Contact Plating:	15 micron (u") Gold Plated
Body (Insert):	Polyester Resin UL94V-0 Rated Blue colour
Shell Material:	Copper Alloy (Ni 80u" plated min.)
Current rating:	1A
DWV:	500V AC
Voltage Rating:	30V
Insulation Resistance:	1000 MΩ Max.
Contact Resistance:	30 mΩ min.
Operating Temperature:	-25°C to +70°C
Mating Force:	35n max
Unmating Force:	10n min.