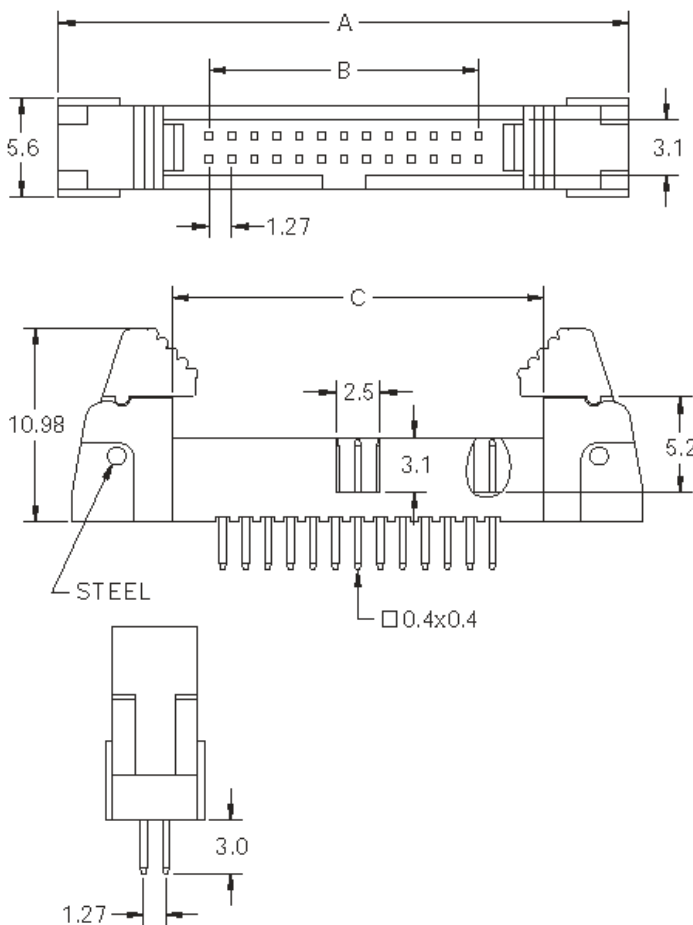
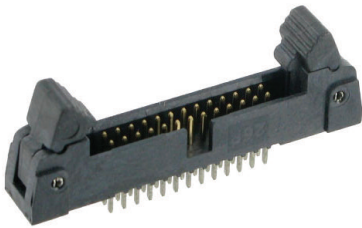
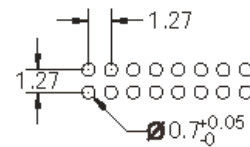


## 1.27 x 1.27mm Pitch Dual Row PCB Mount Latched Box Headers C42a-xx-BS1-G Series

Dual row latched box headers - Mates with Valcon A32 series IDC sockets



POSITION	A	B	C
6	19.58	2.54	8.32
8	20.85	3.81	9.59
10	22.12	5.08	10.86
12	23.39	6.35	12.13
14	24.66	7.62	13.40
16	25.93	8.89	14.67
20	28.47	11.43	17.21
22	29.74	12.70	18.48
24	31.01	13.97	19.75
26	32.28	15.24	21.02
30	34.82	17.78	23.56
34	37.36	20.32	26.10
40	41.17	24.13	29.91
44	43.71	26.67	32.45
50	47.52	30.48	36.26
60	53.87	36.83	42.61
68	58.95	41.91	47.69
80	66.57	49.53	55.31



### Ordering Information:

#### C42a-xx BS1-G

1

#### Option 1(xx)

Number of contacts (in total)  
**06,08,10,12,14,16,20,22,26,  
30,34,40,44,50,60,68 & 80**

Please note: 06 = 2x3 positions ~ 80 = 2x40 positions  
Please note: Some sizes may be subject to MOQ

### Specification:

Insulator Material:	Black LCP UL94V-0
Contact Material:	Phosphor Bronze
Contact Plating:	Selective gold flash plated contacts
PCB Contact Plating:	Tin plated
Current Rating:	1 Amp
DWV:	250V AC for 1 minute
Insulation Resistance:	1000 MΩ min.
Contact Resistance:	30 mΩ Max.
Operating Temperature:	-40°C to +105°C

Mates with A32 series IDC sockets