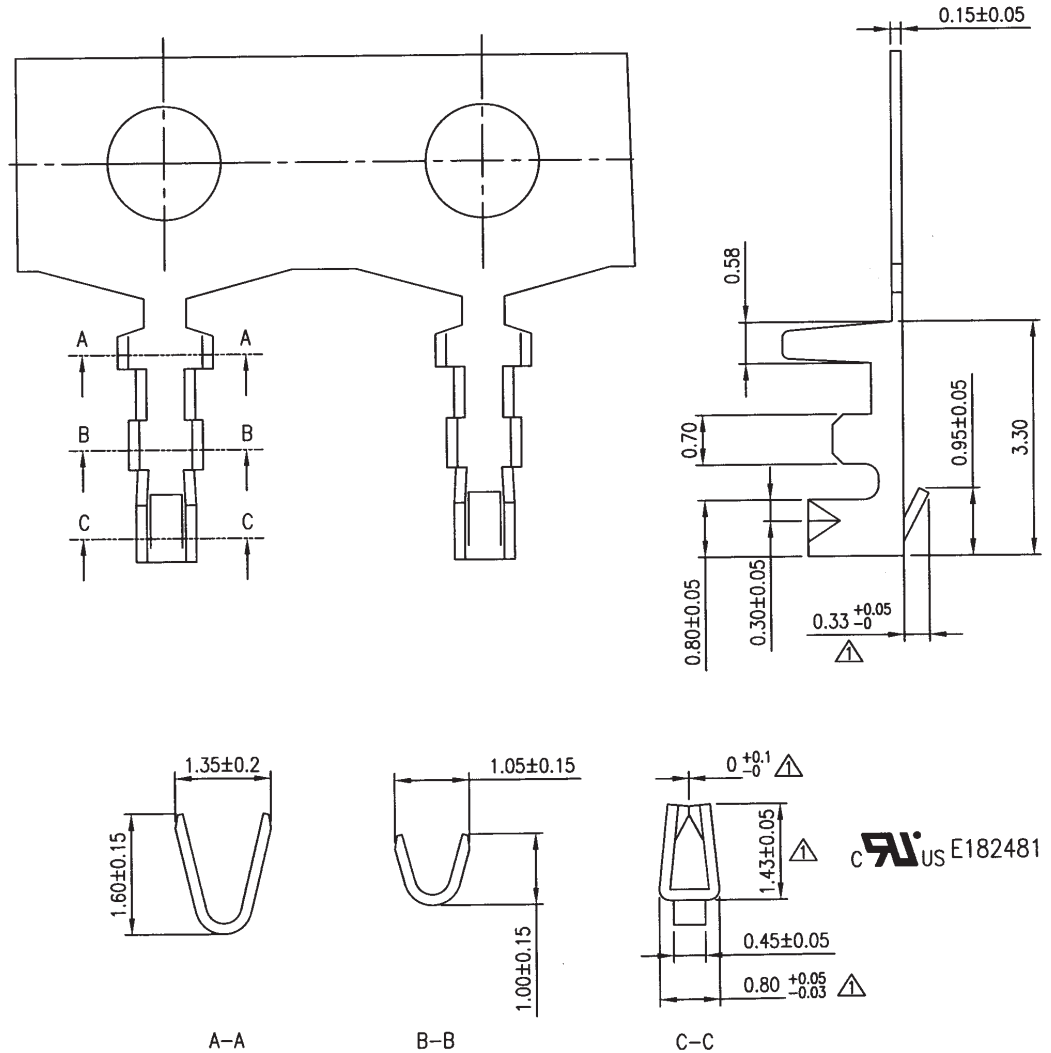


1.25mm Pitch Loose and Reeled Crimps 0800-TTAP-x Series

UL Approved Number E182481 - Tin plated contacts - Mates with Valcon 0800-Hxx series crimp housings



UL US E182481

Ordering Information:

0800-TTAP (reeled - 15,000 per reel)

0800-TTAP-L (loose Type)

1

Specification:

Material:	Phosphor bronze
Plating:	Tin (0.15mm thickness)
Wire range:	AWG 28~32
Insulation OD	1.0mm Max.
Approvals:	UL Number E182481

Please note - reeled crimps are subject to an MOQ of 15,000 per reel