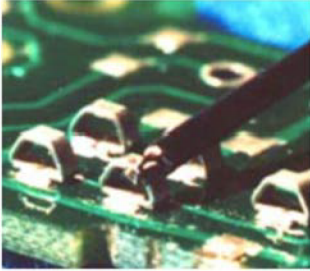


# TP-108 Series Surface Mount Tape and Reel Test Points



## Specifications

### Materials:

**Contact Material:** .010" x .040" Phosphor Bronze #510 Alloy

**Finish:** .0001 Matte Tin over .0001 Nickel or .0001" Min. Silver over .00005 Min. Copper

**Tape Material:** 8mm Wide;

Pitch: 4mm;

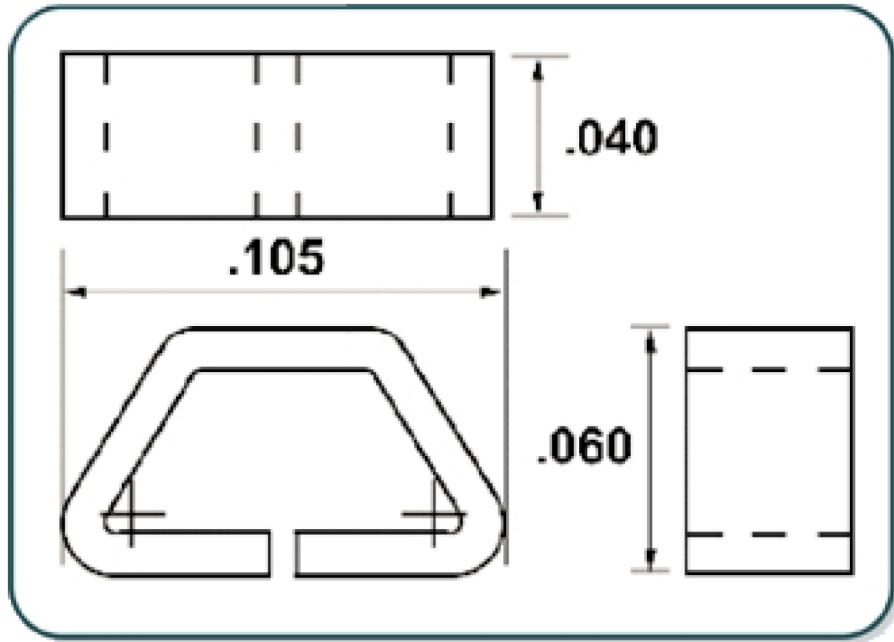
Conductive polycarbonate carrier meets ANSI/EIA-481 Standard

### Reel Size:

TP-108-02 = 7" diameter: 1000 pieces per reel

**Pad Size:** .070" x .135"

## TP-108 Contacts



Example:

**TP-108**

**02**

**1**



● **Series Designation:**  
TP-108

● **Packaging:**  
02 = Tape-and-Reel Format

● **Quantity Per Reel:**  
1 = 1,000 pieces

● **Finish:**  
T = Matte Tin over Nickle



THE VITAL COMPONENT

## Product Description

Secure holding, user friendly, sub-miniature. The new TP-108 Series Surface Mount Test Point was designed to provide a secure anchoring point for miniature test points and j-hooks. The loop configuration of the TP-108 and all of Components Corporation's test point series holds probes fast, without the slippage and painful punctures common to posts or turrets. The TP-108's small footprint - about the same as a 1206 chip capacitor - and ultra-low profile are ideally suited for advanced surface mount printed circuit board applications. All of Components Corporation's line of surface mount and through-hole test points are field-proven, with applications ranging from consumer electronics to medical and aerospace technology and beyond.

The TP-108 is manufactured from spring tempered phosphor bronze flat wire using a proprietary process that yields a long life and absolute durability. The use of flat wire provides a larger surface area for mounting, important when considering the mechanical stresses common to the testing process. The standard TP-108 Test Point has a .0001 minimum matte tin finish over .0001 nickel underplate and is compatible with the reflow soldering process. The TP-108 is now available in silver plating for outstanding reliability.

Units are supplied in tape and reel format on 7" reels for automatic placement systems. The tape format is 8mm wide by 4mm pitch. Black conductive carrier tape conforms to the ANSI/EIA-48 I standard.

## Certificate of Compliance with Directive 2011/65/EU RoHS and EU Regulation EC 1907/2006

This is to certify that Components Corporation designs, manufactures and supplies products to our customers that are in compliance with Directive 2011/65/EU RoHS and EU Regulation EC 1907/2006, 84 SVH. This also pertains to procurement of raw material, component parts and processes.

the **vital**  
component