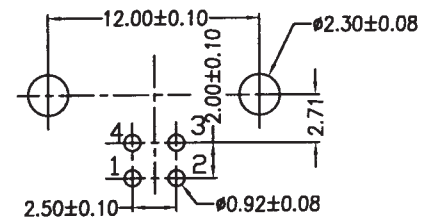
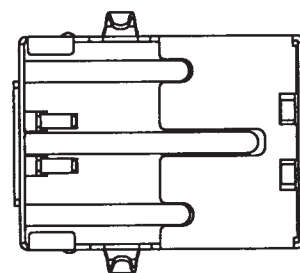
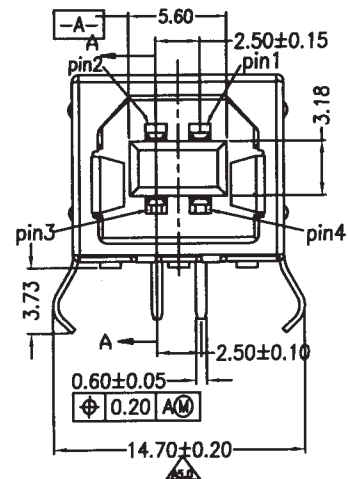
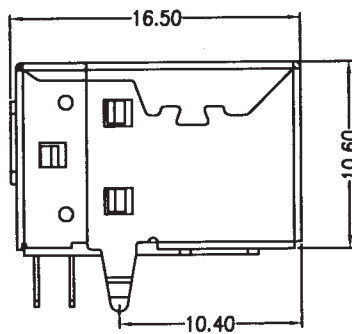
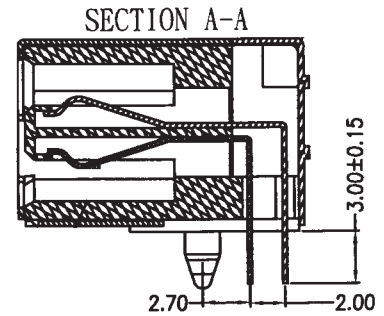
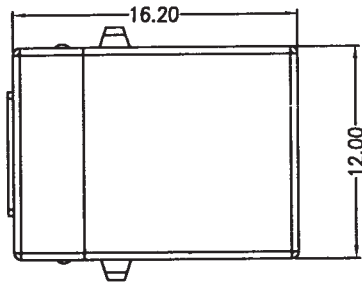
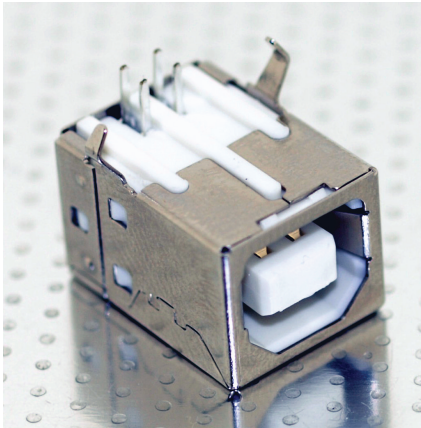


USB Type B Single Port Receptacle
317AE-04-PSB-1001 Series

Through board type with rear shield - white insulator
Meets USB 1.1 & 2.0 specification
RoHS Compliant type



PCB LAYOUT (PCB THICKNESS:1.60/1.20MM)
OTHER TOLERANCE:±0.05

Ordering Information:

317AE-04-PSB-1001

Specification for 317AE-04-PSB-1001:

Insulator Material:	PBT 9T UL94V-0 White insulator
Contact Material:	Brass
Shell Material:	Back:Stainless Steel Front:Brass
Contact Plating:	Gold flash
Current Rating:	1A Max.
Insulation Resistance:	1000MΩ min. @ DC 500
Contact Resistance:	30mΩ Max.
DWV:	AC 500V 1 minute
Operating Temperature:	-40°C to +85°C
Mating/Unmating Force:	3.57 Kgf Max. / 1.0Kgf min. (1500 cycles)