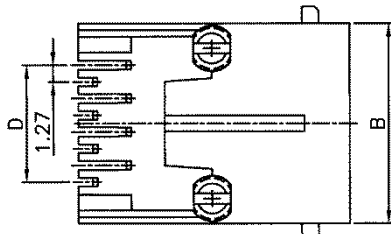
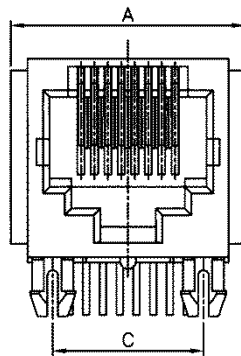
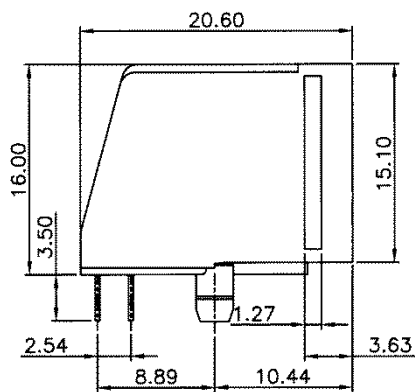
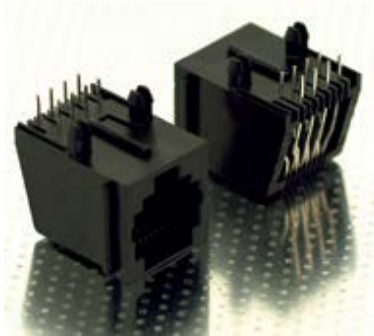
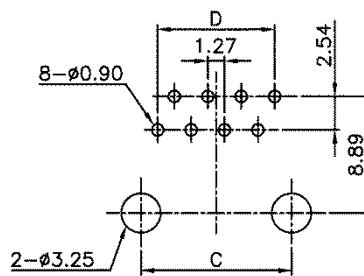




**VRAMJ-F-8-8-2-1** Right Angle Standard PCB Mount RJ45 Jack



PCB LAYOUT/TOP VIEW



No. of Positions	Dimension			
	A	B	C	D
8	17.78	15.24	11.43	8.89

**VRAMJ-F-8-8-2-1**

- Contact Material: Phosphor Bronze
- Contact Plating: 6 micro" Gold on contact area only
- Insulator: PBT Thermoplastic UL94V-0 Black
- Current Rating: 1.5 Amps DWV: 1000AC for 1 minute
- Contact Resistance: 20 mOhms Max. Insulation Resistance: 500 Mohms min.
- Operating Temperature: -40 to +84 degrees C Durability: 500 cycles
- Packaging in trays – **processing note – RoHS compliant but not Hi-temp solderable**