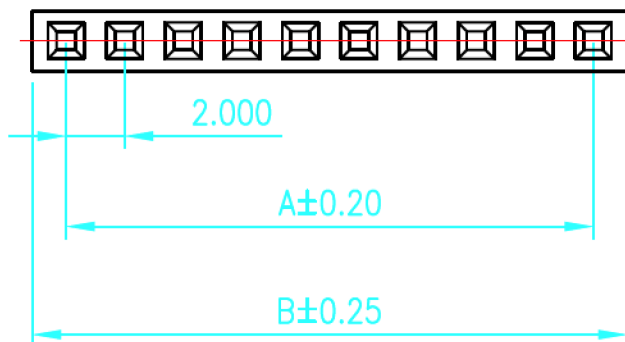


RA E182481

RoHS compliant

REV	DESCRIPTION	DATE

Circuits	Dimension mm	
	A	B
1X2	2.0	4.3
1X3	4.0	6.3
A: 2.0 X (PART NO. OF PIN-1) B: 2.3 + A		
1X40	78.0	80.3



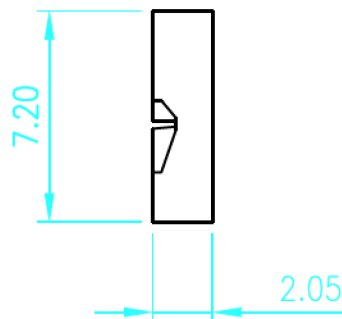
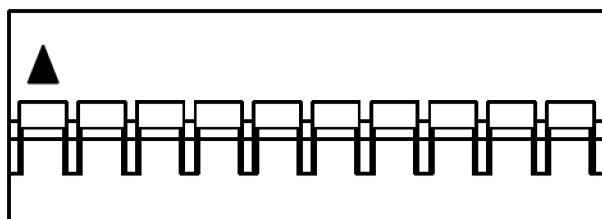
Features:

- * Available in 1X2 through 1X40 Circuits
- * Material: Nylon 66 UL94V-0
- * 1850-H02~ 1850-H19 Accepts 1850-T Crimp Terminal
- * 1850-H20~ 1850-H40 Accepts 1950-T Crimp Terminal
- * Mates with 1850-WXXS or 1850-WXXR Series Header
- * Color: Black

Ordering information:

1850-H XX
1 2

- 1 H=Housing
- 2 No. of Circuits 02~40



TOLERANCE		the vital component			
X.	---	TITLE 2.0mm (.079") Pitch Single Row Housing			
X.X	±0.25				
X.XX	±0.15				
X.XXX	±0.05				
ANGULAR	---	APPROVALS			
DRAWN	Terry 25-NOV-2014	VIEW	SCALE	PART NO.	REV.
CHECKED	Gang		1:1	1850-HXX	AO
APPROVED	Song	UNIT	SIZE	DWG NO.	SHEET
		MM	A4	1850-H-001	1 OF 1