



C **UL** US E182481

REV	DESCRIPTION	DATE
A1	EN991005-1	2010.10.05

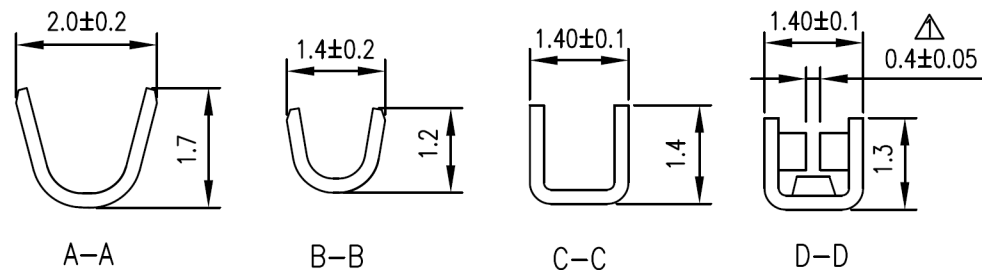
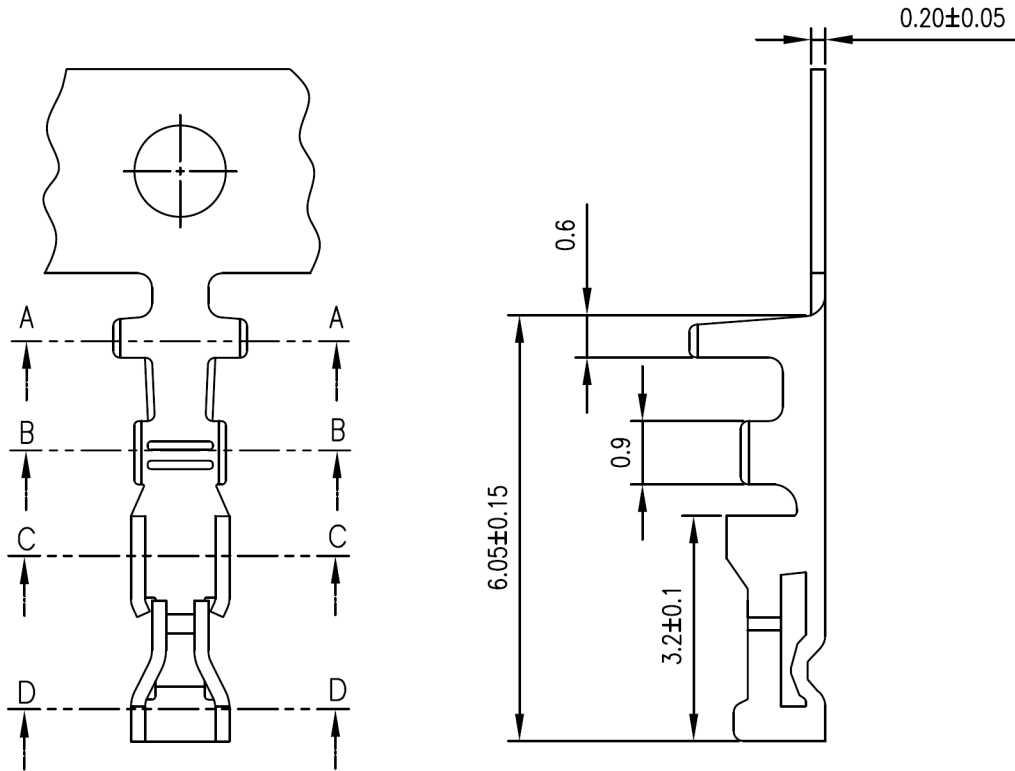
NOTES

- △ Used in 1850-H 1870-H**L
(01~19 Pin are available) or
1950-H 1970-H Series Housing
(04~19 Pin are available)
Accepts AWG #26~30 Wire Range
Insulation O.D.= 1.35 mm(max)
Material : Brass or Phosphor Bronze
Finish : Gold-Plated
Qty/Reel : 10,000 PCS
Thickness: 0.2mm

ORDERING INFORMATION

1850 - T GB *
 1 2 3

- 1. T : Terminal
 - 2. GB : Gold
 - 3. Reeled; Leave Blank
- L = Loose Bulk Pack



TOLERANCE	
X.	--
X.X	±0.25
X.XX	±0.13
X.XXX	±0.08
ANGULAR	--

the **vital** component

TITLE 2.0mm(.079") Pitch
Wire to Board Terminal

APPROVALS		VIEW	SCALE	PART NO.	REV.
DRAWN	Frank		10:1	1850-TGB	A1
CHECKED	Denise				
APPROVED	Jessica	UNIT	SIZE	DWG NO.	SHEET
		MM	A4	1850-TGB	1 OF 1

