

1. MECHANICAL DIMENSIONS :

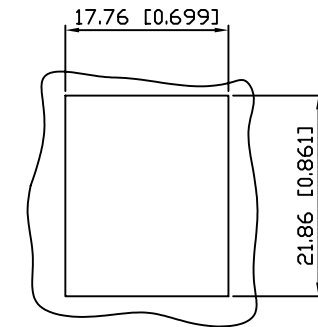
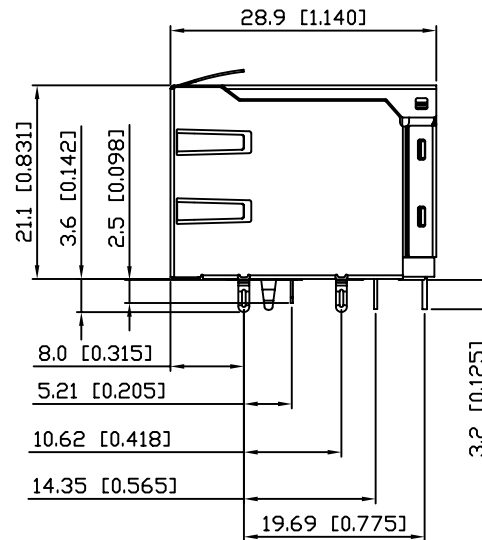
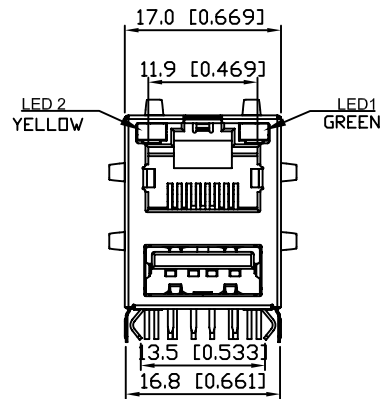
NOTES:

1. RJ45 MECHCNICAL:

HOUSING: PBT POLYESTER UL94V-0
 MIXED GLASS FIBER.
 STANDARD COLOR: BLACK
 CONTACTS: 0.35mm THICK PHOS-BRONZE PLATED
 WITH 15 μ GOLD AND TIN
 IN SOLDER AREA.
 SHIELD: COPPER ALLOY,
 PLATED WITH NICKEL.
 CAVITY CONFORMS TO FCC RULES AND REGULATIONS
 PART 68, SUBPART F.

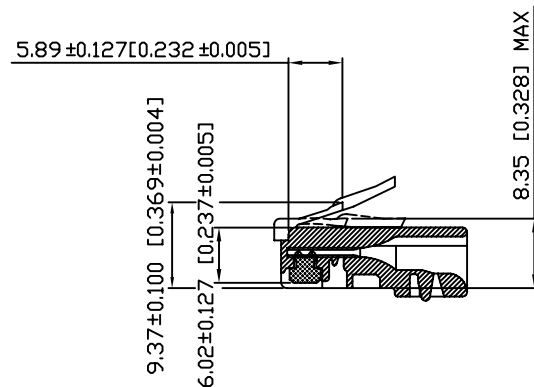
2. USB MECHANICAL:

HOUSING: PBT COLOR: BLACK
 CONTACT: PHOSPHOR-BRONZE
 30 μ GOLD PLATING ON CONTACT AREA.
 SHIELD: BRASS
 PLATED WITH NICKEL.
 3. OPERATING TEMPERATURE: 0°C~+70°C
 4. UNSPECIFIED TOLERANCE: .XX \pm 0.25[0.010]
 .X \pm 0.30[0.012]



RECOMMENDED
 PANEL CUTOUT DIMENSION

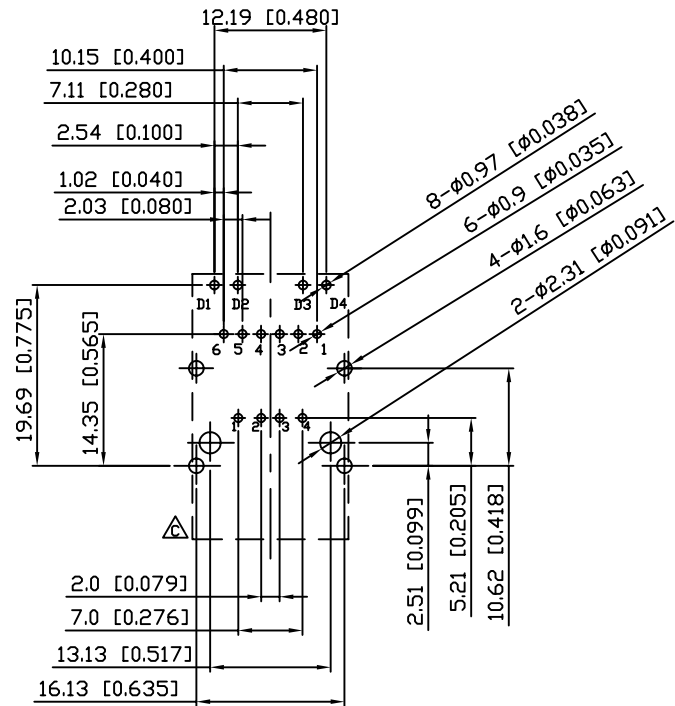
RECOMMENED PLUG DIMENSION:



RoHS Compliant

		CONNECTING THE INFORMATION AGE	
X MULTIPLE ASIA 4F, No. 347, Yang Guang St., Neihu, Taipei, Taiwan 11475		X MULTIPLE USA 1420 Los Angeles Ave., Suite G, Simi Valley, CA 93065	
THIS DRAWING IS A CONTROLLED DOCUMENT.			
TITLE: RJ45+USB A Type, w/LED, w/Filter 10/100 Mbps, 8P,6C, Shielded, Thru-Hole		DWG NO: XRJB-A60-1-DA1-170	
PART NO: XRJB-A60-1-DA1-170		DRAWN: IVAN	
UNIT: mm[inch]		SHEET: 1 of 3	
REV: C		CHKD: TARA	
DATE: Oct.02,09		DATE: Oct.02,09	

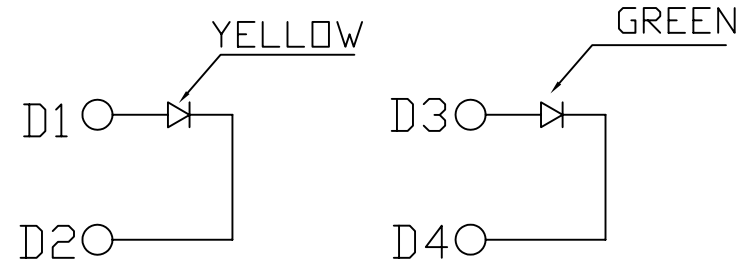
2. PCB LAYOUT :



SUGGESTED PCB LAYOUT
(TOP VIEW)

DIMENSIONAL TOLERANCE: .XX \pm 0.08[0.003]

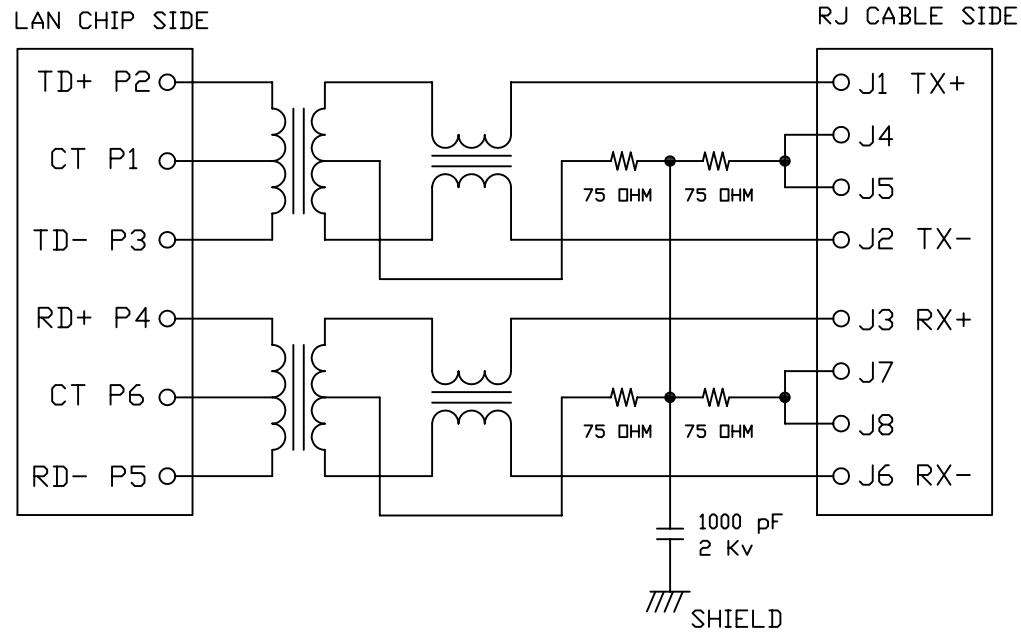
3. LED CONFIGURATION :



RoHS Compliant

		CONNECTING THE INFORMATION AGE	
X MULTIPLE ASIA 4F, No. 347, Yang Guang St., Neihu, Taipei, Taiwan 11475		X MULTIPLE USA 1420 Los Angeles Ave., Suite G, Simi Valley, CA 93065	
THIS DRAWING IS A CONTROLLED DOCUMENT.			
TITLE: RJ45+USB A Type, w/LED, w/Filter 10/100 Mbps, 8P,6C, Shielded, Thru-Hole		DWG NO: XRJB-A60-1-DA1-170	
PART NO: XRJB-A60-1-DA1-170		DRAWN: IVAN	
		UNIT mm[inch]	SHEET 2 of 3
		REV C	DATE: Oct.02,09

4. SCHEMATIC:



5. ELECTRICAL CHARACTERISTICS :

TEST NOTES:($25 \pm 5^\circ\text{C}$)

1.TR:(100KHz,0.1V);

PINS:(P2-P3):(J1-J2)= $1:1 \pm 3\%$

PINS:(P4-P5):(J3-J6)= $1:1 \pm 3\%$

2.LX:(100KHz,100mV,8mA, DC Bias)

PINS: (P2,P3),(P4,P5)=350uH MINIMUM

3.DCR:

PINS:(J1-J2),(J3-J6)= 1.2 OHMS MAXIMUM

4.HIPOT:

PINS(P2,P1,P3)TO(J1,J2)=1500VAC FOR 60 SECONDS

PINS(P4,P6,P5)TO(J3,J6)=1500VAC FOR 60 SECONDS

5.INSERTION LOSS:

-1.0dB MAXIMUM AT 0.3MHz TO 100MHz;

6.RETURN LOSS:

-20dB MINIMUM AT 1MHz TO 30MHz;

-15dB MINIMUM AT 30MHz TO 60MHz

-10dB MINIMUM AT 60MHz TO 80MHz

7.CROSS TALK:

-30dB MINIMUM AT 1MHz TO 100MHz

8.COMMON TO COMMON MODE REJECTION:

-30dB MINIMUM AT 1MHz TO 100MHz

XRJB-A60-1-DA1-170

PRODUCT SERIES
B : RJ45 OVER USB

MECHANICAL TYPE
A60 : RJ45 OVER USB
A TYPE , A6 SERIES

LED COLOR OPTION

SPECIAL CODE
0 : STANDARD

SHIELDED TYPE
7 : EMI FINGER ON ALL SIDE

LED POLARITY
1 : +-, +-
CIRCUIT TYPE

RoHS Compliant

		CONNECTING THE INFORMATION AGE	
		CUSTOMER/NO:	
X MULTIPLE ASIA 4F, No. 347, Yang Guang St., Neihu, Taipei, Taiwan 11475		X MULTIPLE USA 1420 Los Angeles Ave., Suite G, Simi Valley, CA 93065	
THIS DRAWING IS A CONTROLLED DOCUMENT.			
TITLE:		DWG NO:	
RJ45+USB A Type, w/LED, w/Filter 10/100 Mbps, 8P,6C, Shielded, Thru-Hole		XRJB-A60-1-DA1-170	
PART NO:		DRAWN:	
XRJB-A60-1-DA1-170		IVAN	
		CHKD:	
		TARA	
		DATE:	
		Oct.02,09	
		UNIT	SHEET
mm[inch]		3 of 3	REV
			C