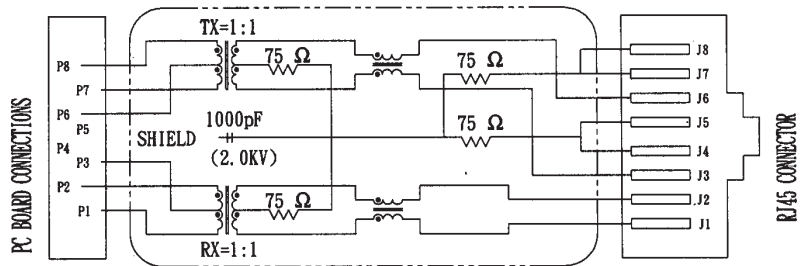
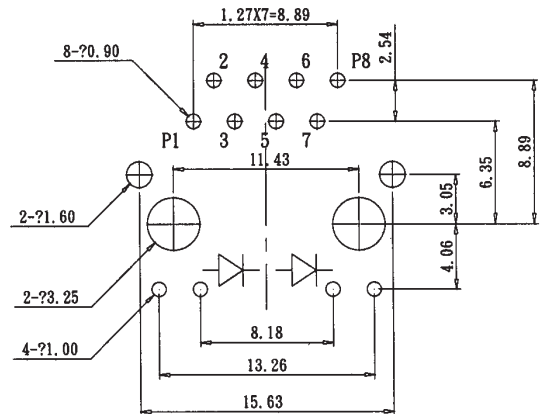
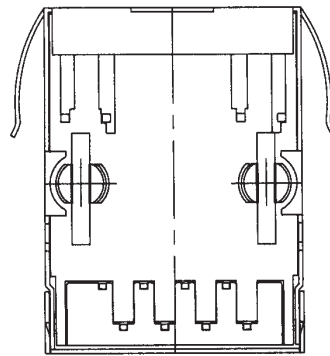
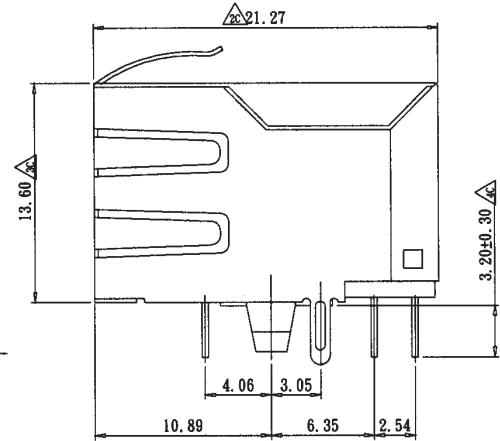
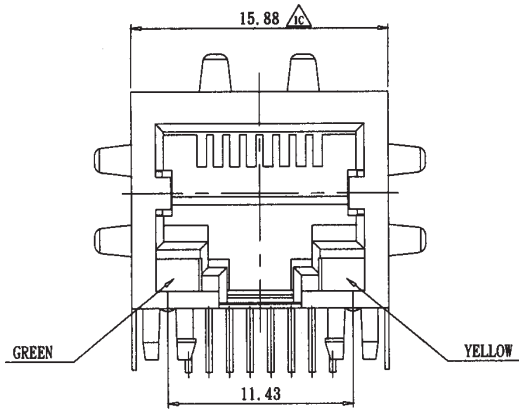
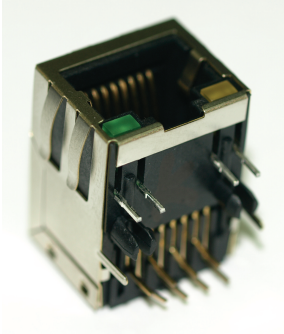


RJ45 Magnetic PCB Mount Jack with LEDs fitted
3070-110103 Series

Shielded plastic type with 10/100 BaseT magnetic function (KS-01) With Green/Yellow LEDs



Ordering Information:

3070-110103

Specification:

Insulator Material:	High Temp Thermoplastic UL94V-0
Contact Material:	Phosphor Bronze
Shielding:	Brass - Plated Ni Alloy
Contact Plating:	Gold flash over Ni underplate
Solder Tail Plating:	Tin over Ni
DWV:	1000AV AC for 1 minute
Insulation Resistance:	500MΩ min.
Contact Resistance:	20mΩ Max.
Operating Temperature:	-40°C to +85°C
LEDs Fitted:	Green/Yellow (seen from front left)
Magnetics:	10/100 BaseT (KS-01)