

THE INFORMATION CONTAINED HEREIN IS CONSIDERED "PROPRIETARY" TO BEL FUSE INC. AND SHALL NOT BE COPIED, REPRODUCED OR DISCLOSED WITHOUT THE WRITTEN APPROVAL OF BEL FUSE INC.

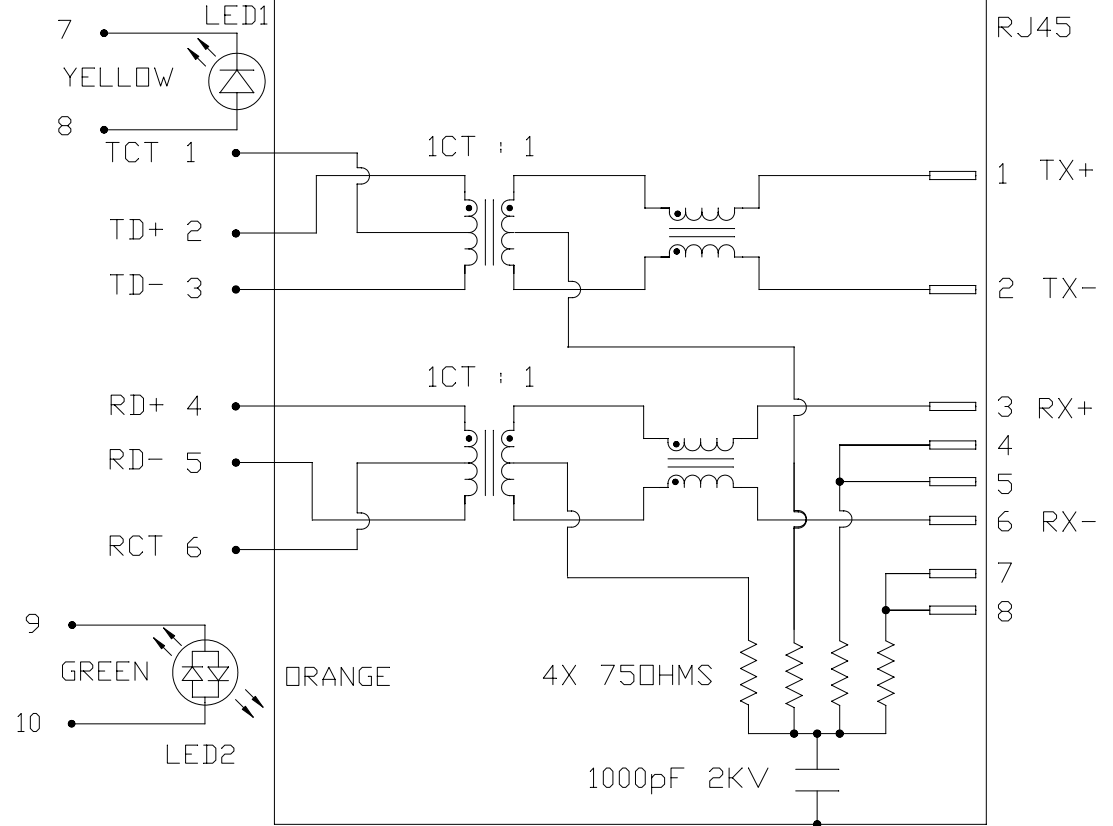


LED1 POLARITY			LED2 POLARITY		
PIN 7	PIN 8	COLOR	PIN 9	PIN 10	COLOR
-	+	YELLOW	+	-	ORANGE
			-	+	GREEN

SCHEMATIC

ELECTRICAL CHARACTERISTICS @ 25°C

<p>URNS RATIO TX RX</p> <p>QCL @ 100kHz/100mVRMS 8mA DC BIAS</p> <p>INS. LOSS 1MHz TO 100MHz</p> <p>RET. LOSS (MIN) 1MHz-30MHz 30MHz-60MHz 60MHz-80MHz</p> <p>CROSS TALK (TX - RX) 500kHz-1MHz 10 MHz 30 MHz 50 MHz 100 MHz</p> <p>CM TO CM REJ 100kHz-1MHz 10 MHz 30 MHz 60 MHz 100 MHz</p> <p>CM TO DM REJ 100kHz-1MHz 10 MHz 30 MHz 60 MHz 100 MHz</p> <p>HIPOT (Isolation Voltage): 100% OF PRODUCTION TESTED TO COMPLY WITH IEEE 802.3 ISOLATION REQUIREMENTS.</p> <p>OPERATING TEMPERATURE:</p>	<p>1CT : 1 1CT : 1</p> <p>350µH MIN.</p> <p>-1.0 dB MAX</p> <p>-18 dB -18+20LOG(F/30MHz) dB -12 dB</p> <p>-70 dB MIN -50 dB MIN -45 dB MIN -40 dB MIN -35 dB MIN</p> <p>-70 dB MIN -47 dB MIN -42 dB MIN -37 dB MIN -30 dB MIN</p> <p>-70 dB MIN -60 dB MIN -50 dB MIN -45 dB MIN -40 dB MIN</p> <p>1500 Vrms</p> <p>-40°C TO 85°C</p>
---	--



LED 1	VF (FORWARD VOLTAGE)	IF=20mA	YELLOW 2.1V TYP.
LED 1	λ D (DOMINANT WAVELENGTH)	IF=20mA	YELLOW 590nm TYP.
LED 2	VF (FORWARD VOLTAGE)	IF=20mA	ORANGE 2.0V TYP.
LED 2	λ D (DOMINANT WAVELENGTH)	IF=20mA	ORANGE 610nm TYP.
			GREEN 2.2V TYP.
			GREEN 565nm TYP.

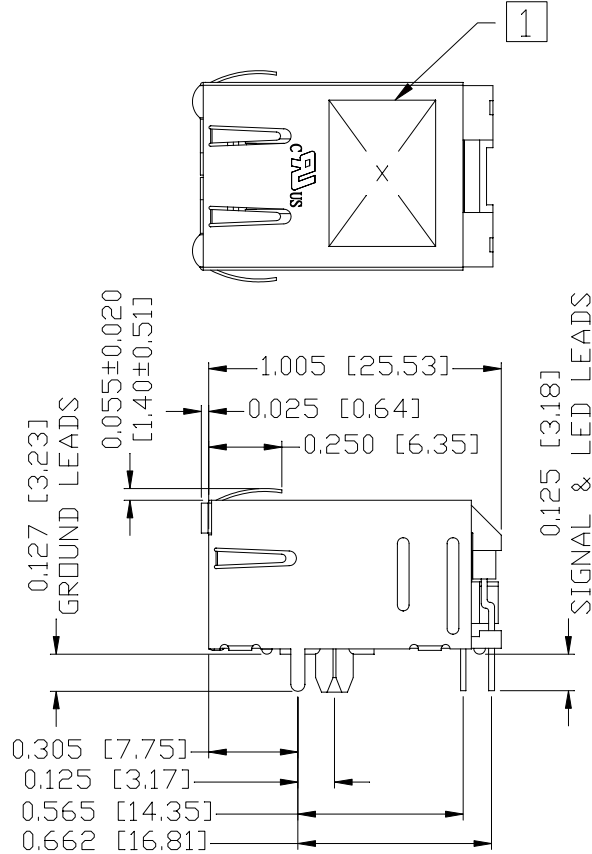
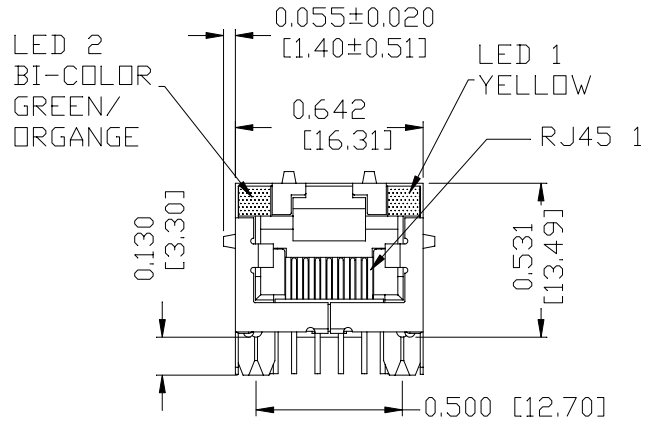
ORIGINATED BY CHOW WANCHUNG	DATE 03-11-08	TITLE MagJack ® (4 Cores, MDIX, CM Termination Ext. Temp)	PART NO. / DRAWING NO. 08B01X1T36-F	STANDARD DIM. TOL. IN INCH	[ ] METRIC DIM. AS REFERENCE
DRAWN BY DENG PING	DATE 03-11-08	FILE NAME 08B0-1X1T-36-F	FILE NAME 08B01X1T36-F_B.DWG	.X .XX .XXX	UNIT : INCH [mm] SCALE : N/A REV. : B SIZE : A4 PAGE : 2



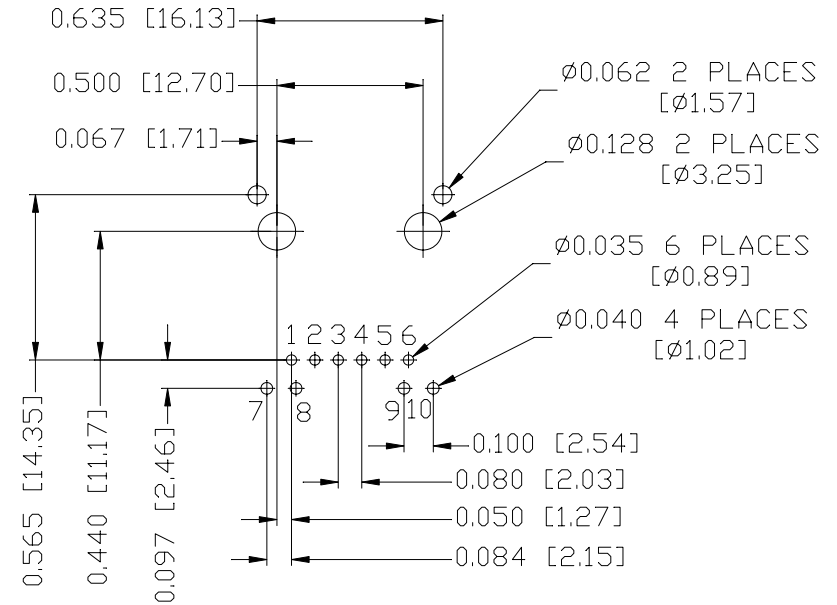
THE INFORMATION CONTAINED HEREIN IS CONSIDERED "PROPRIETARY" TO BEL FUSE INC. AND SHALL NOT BE COPIED, REPRODUCED OR DISCLOSED WITHOUT THE WRITTEN APPROVAL OF BEL FUSE INC.

MECHANICAL SPECIFICATION

RoHS  
2002/95/EC



RECOMMENDED PCB FOOTPRINT  
COMPONENT SIDE VIEW



NOTES:

- PLASTIC HOUSING: THERMOPLASTIC PBT  
FLAMMABILITY RATING UL 94V-0
- CONTACTS PLATING: 15 MICRO-INCH HARD GOLD PLATING
- PINS: TIN-COATED COPPER WIRE, DIA 0.018 INCH.
- METAL SHIELD: PRE-PLATED NICKEL ON COPPER ALLOY.  
(ALL GROUNDLEADS ARE SOLDER DIPPED)

1. MARK PART WITH MFG LOGO, MFG NAME, PART NUMBER, AND DATE CODE.

c US UL RECOGNIZED - FILE #E196366 AND E169987.

2. RoHS COMPLIANCE, PER EU DIRECTIVE 2002/95/EC.

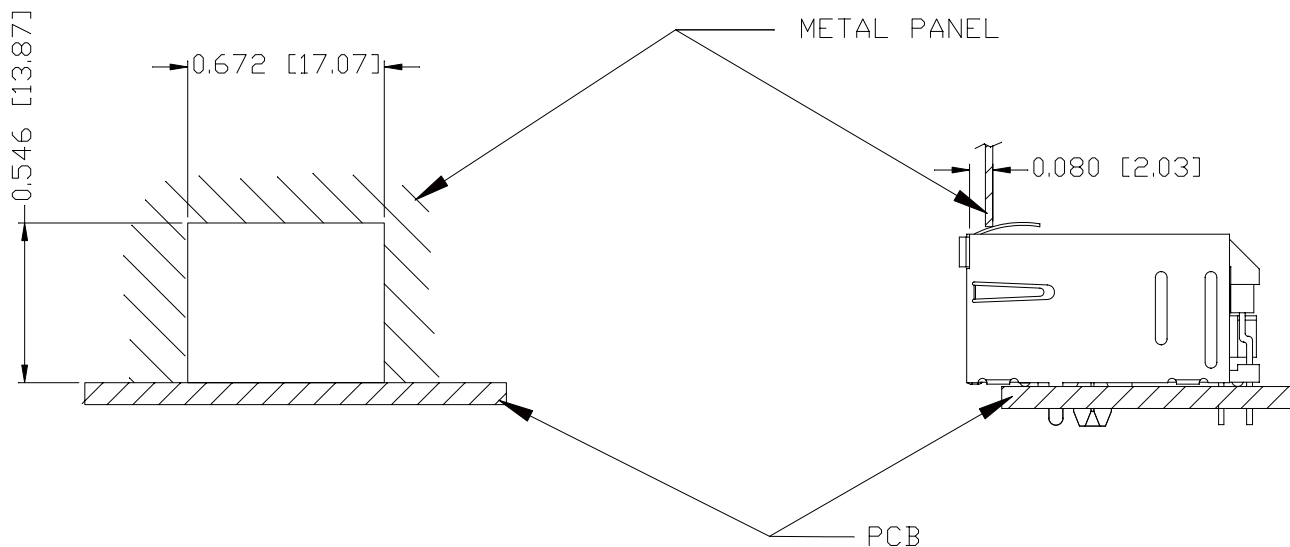
ORIGINATED BY CHEN BILL	DATE 03-11-08	TITLE MagJack® (4 Cores, MDIX, CM Termination EXT. Temp ) 08B0-1X1T-36-F	PART NO. / DRAWING NO. 08B01X1T36-F	STANDARD DIM. TOL. IN INCH .X .XX .XXX ±0.010	[ ] METRIC DIM. AS REFERENCE UNIT : INCH [mm] SCALE : N/A REV. : B SIZE : A4 PAGE : 3	 COMPONENTS FOR A CONNECTED PLANET
DRAWN BY WEI SHAOYI	DATE 03-11-08	FILE NAME 08B01X1T36-F_B.DWG				

THE INFORMATION CONTAINED HEREIN IS CONSIDERED "PROPRIETARY" TO BEL FUSE INC. AND SHALL NOT BE COPIED, REPRODUCED OR DISCLOSED WITHOUT THE WRITTEN APPROVAL OF BEL FUSE INC.

RoHS  
2002/95/EC



SUGGESTED PANEL OPENING



NOTE:

THE DISTANCE OF PANEL INSIDE SURFACE RELATIVE TO FRONT SURFACE OF PART IS ONLY A SUGGESTION. IN CASE THIS DISTANCE IS DIFFERENT, THE REQUIRED PANEL OPENING DIMENSIONS CHANGE ACCORDINGLY.

PACKING INFORMATION

PACKING TRAY : 0200-9999-D4(TOP)  
0200-9999-D5(BOTTOM)

PACKING QUANTITY : 60 PCS FINISHED GOODS PER TRAY  
11 TRAYS (660 PCS FINISHED GOODS) PER CARTON BOX

NOTE : CARDBOARDS ARE PLACED BETWEEN LAYERS OF PACKING TRAY INSIDE CARTON BOX  
(INCLUDE THE UPPERMOST AND LOWERMOST TRAY)

ORIGINATED BY CHEN BILL	DATE 03-11-08	TITLE MagJack® (4 Cores, MDIX, CM Termination Ext. Temp )	PART NO. / DRAWING NO. 08B01X1T36-F	STANDARD DIM.		[ ] METRIC DIM. AS REFERENCE	
				TOL. IN INCH		UNIT : INCH [mm]	REV. : B
DRAWN BY WEI SHAOYI	DATE 03-11-08	08B0-1X1T-36-F	FILE NAME 08B01X1T36-F_B.DWG	.X	±0.004	SCALE : N/A	SIZE : A4
				.XX		⊕	PAGE : 4
				.XXX			

