

UHF SERIES CONNECTORS

50 ohm 0-300MHz

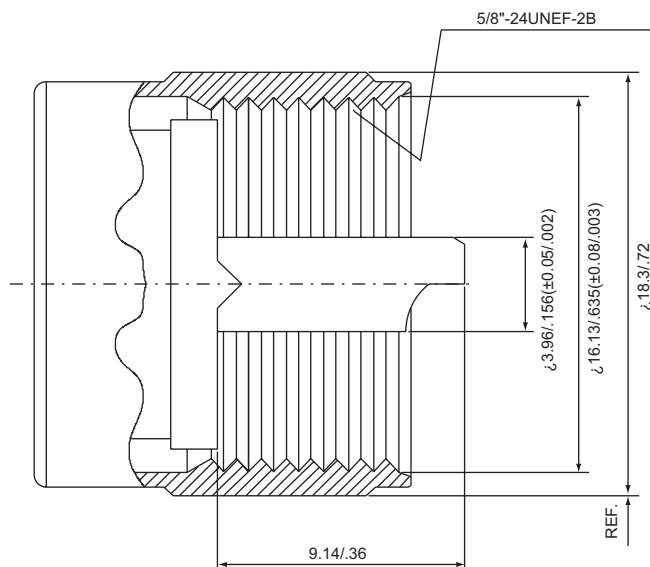
UHF coaxial connectors are popular, economical and one of the first RF connector series to be developed.

They're a general purpose, nonconstant impedance connector which operate from DC to 300 MHz.

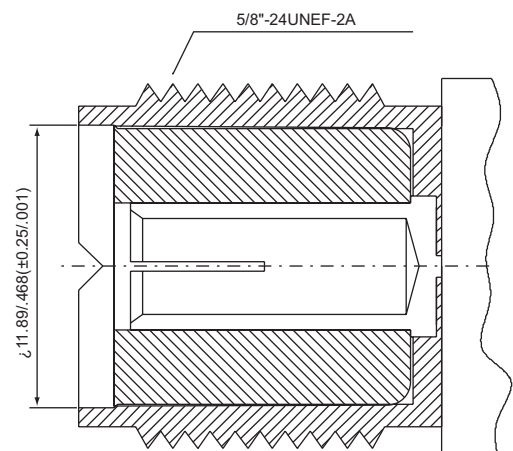
The 5/8"-24 thread coupling and crimp, clamp, twist-on and solder termination provide the UHF with the flexibility that have kept it one of the most popular coaxial connectors over the years.

Low frequency device are antenna connections for CB radios, public address systems, audio, video, mobile radio and test equipmeny.

Interface Dimensions:



Plug(male)

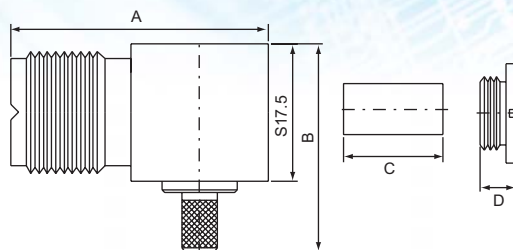


Jack(female)

Electrical:

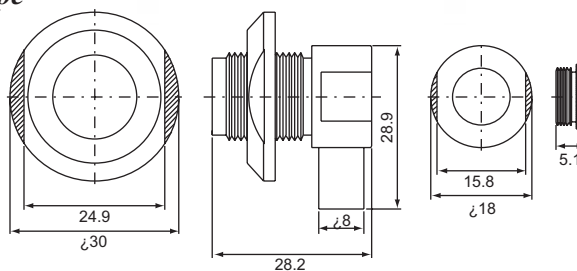
Impedance	Non-constant
Frequency Range	0 to 300 MHz

**UHF FEMALE, Crimp type
right angle
U-221**

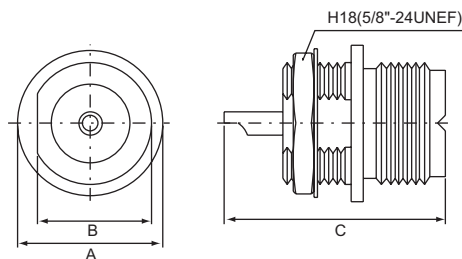


PART NO.	Ω	CABLE TYPE	A	B	C	D
U-211A	50,75	RG6U	32.8	26.5	12.7	4.7
U-211F		RG58U				
U-211G		RG59U				

**UHF FEMALE, Twist-on type
right angle
U-223**

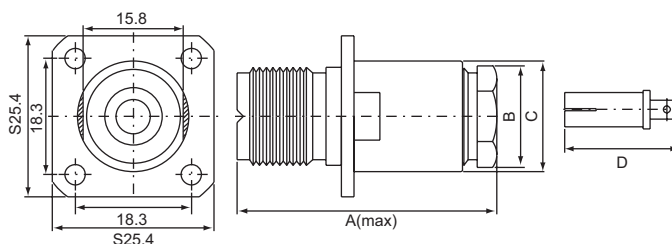


**UHF FEMALE, Solder type
bulkhead receptacle
U-235**



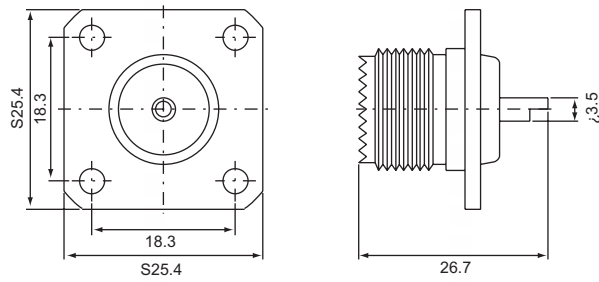
PART NO.	Ω	A	B	C
U-235	50,75	18	14.5	26.9
U-235-1B	50,75	18	14.5	25.4
U-235-ZN	50,75	20	14.5	28.2

**UHF FEMALE, Screw-on type
panel receptacle
U-242**

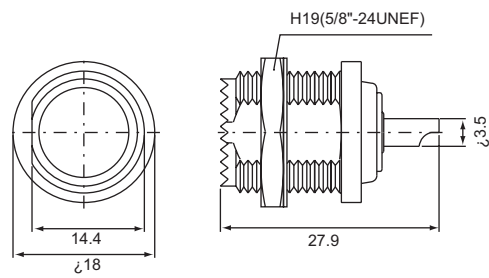


PART NO.	Ω	CABLE TYPE	A	B	C	D
U-242B	50,75	RG213U	40.9	17.5	16	18.1
U-242F	50,75	RG58U	35.4	12.7	11	18.1
U-242G	50,75	RG59U	35.4	12.7	11	18.1

UHF FEMALE, Solder type panel receptacle
U-245



UHF FEMALE, Solder type
U-245-1



UHF FEMALE, Diamond plate
U-2452

