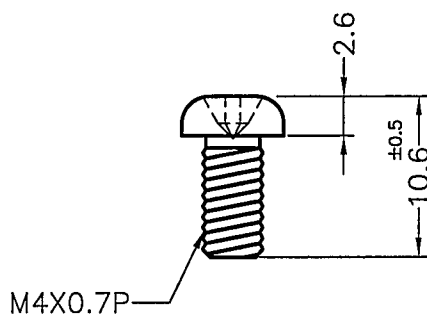
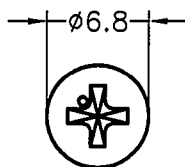


成型尺寸	公差
L≤10	±0.2
10<L≤30	±0.3
30<L≤50	±0.5
50<L≤100	±0.7
100<L≤250	±1.2
ABOVE 250	±1.5



THE VITAL COMPONENT

REVISIONS			
REV	DESCRIPTION	DATE	BY



the vital  
component

TITLE	螺絲	
MATERIAL	STEEL	DATE 2007.08.08
FINISH	ZINC PLATED	DRAWN JOHNNY
COLOR		CHECK 
PART NUMBER	DRAWING NUMBER	UNLESS OTHERWISE SPECIFIED TOLERANCE
V-M4-8ST	V-M4-8ST	SEE ABOVE
SIZE A4	SCALE 2:1	UNIT mm
	REV A	APPROVED 