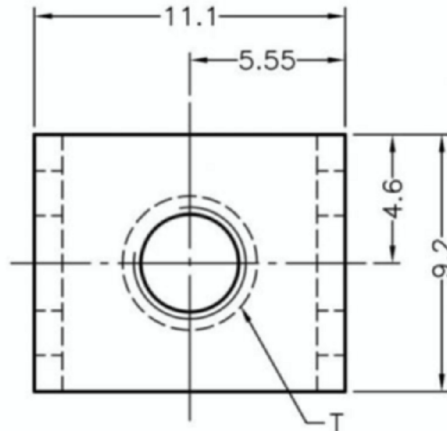
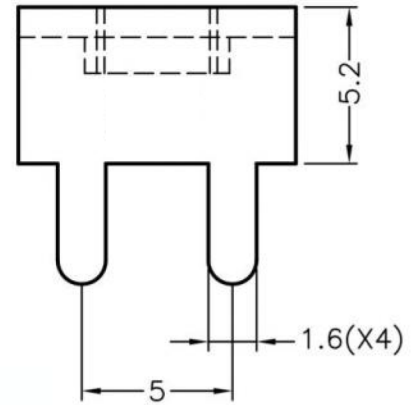
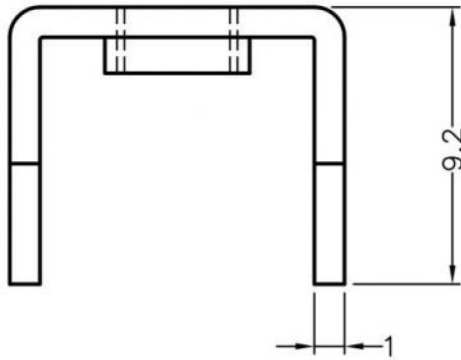
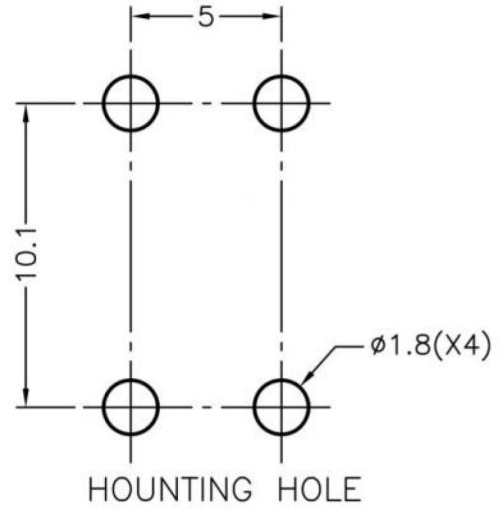


⚠ This dwg is for reference only, Actual dwg should be based on formal engineering dwg.



| Part Number | Dimension T |
|-------------|-------------|
| PCB-8 | M3 |
| PCB-8-M4 | M4 |
| PCB-8-632 | 6-32 UNC |

| | | | | |
|-------------|----|------------------|------------|-------|
| PART NUMBER | | PCB-8-xx | SPEC. DWG. | |
| TITLE | | P.C.B TERMINAL | | |
| MATERIAL | | TIN PLATED BRASS | COLOR | |
| SIZE | A4 | SCALE | 2:1 | UNIT |
| | | | mm | CHECK |
| | | | | Z.C |