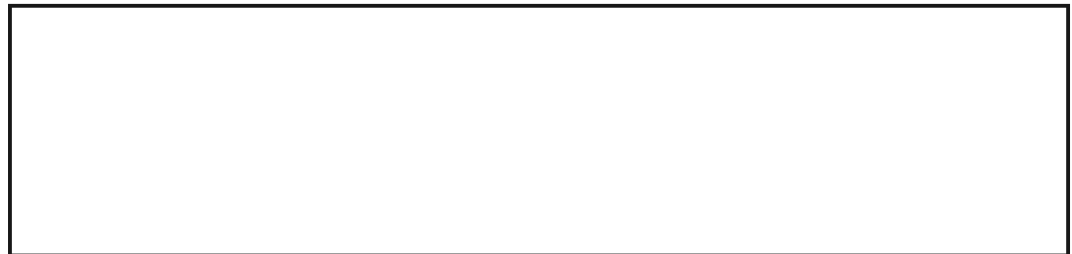
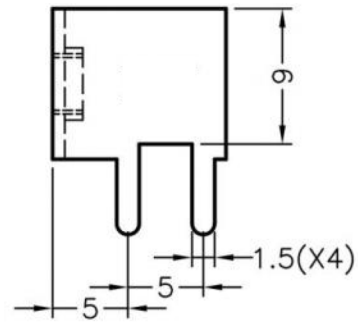
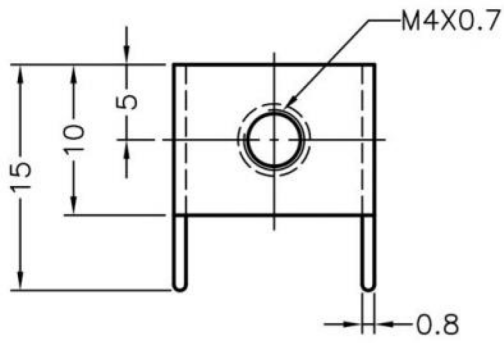
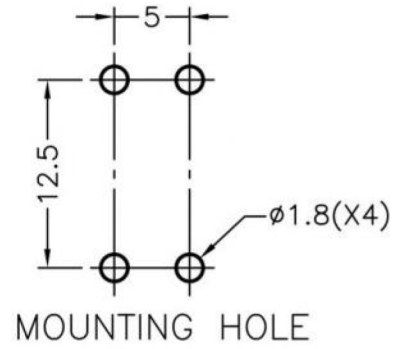
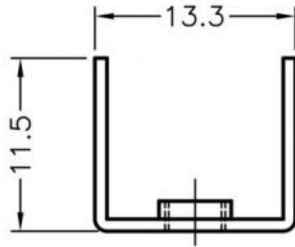


⚠ This dwg is for reference only, Actual dwg should be based on formal engineering dwg.



| | | | | |
|------------------|-------|--------|------------|--|
| PART NUMBER | | PCB-15 | SPEC. DWG. | |
| TITLE | | | | |
| P.C.B TERMINAL | | | | |
| MATERIAL | | | COLOR | |
| TIN PLATED BRASS | | | | |
| SIZE | SCALE | UNIT | CHECK | |
| A4 | 2:1 | mm | Z.C | |