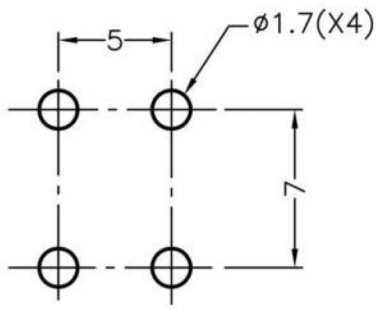
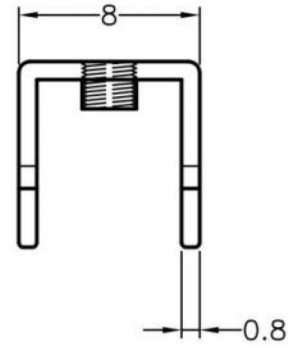
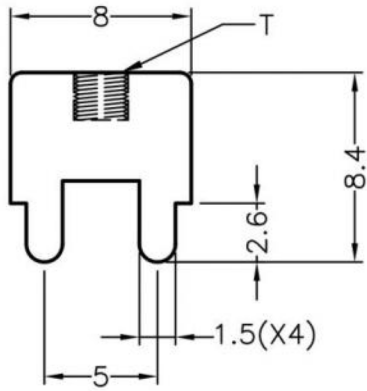




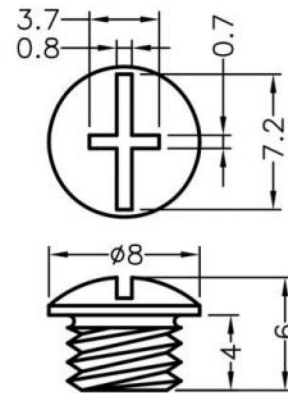
THE VITAL COMPONENT

WEBSITE PHOTOS

⚠ This dwg is for reference only, Actual dwg should be based on formal engineering dwg.



MOUNTING HOLES



FOR PCB-11(STP
CAN COOPERATE SCREW USE



Part Number	Dimension T
PCB-11	M3
PCB-11-M4	M4
PCB-11-632	6-32 UNC

the **vital**
component

PART NUMBER		PCB-11-xx	SPEC. DWG.	
TITLE				
P.C.B TERMINAL				
MATERIAL			COLOR	
TIN PLATED BRASS				
SIZE	SCALE	UNIT	CHECK	
A4	2:1	mm	Z.C	