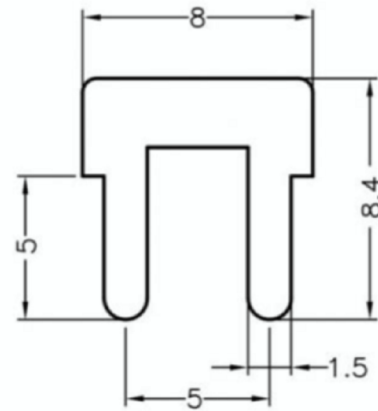
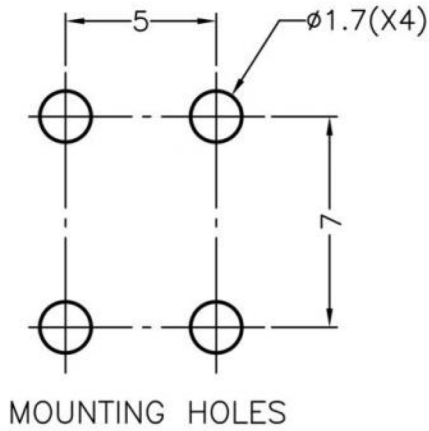
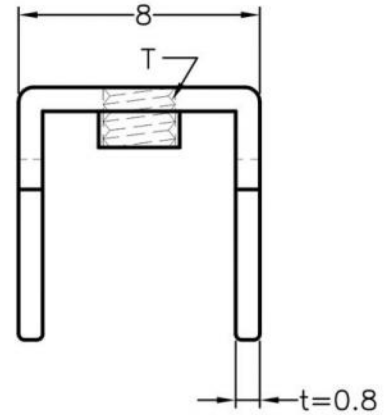


⚠ This dwg is for reference only, Actual dwg should be based on formal engineering dwg.



Part Number	Dimension T (Thread)
PCB-1	M3
PCB-1-M4	M4
PCB-1-632	6-32 UNC

the **vital**  
component

PART NUMBER		PCB-1-xx	SPEC. DWG.	
TITLE				
P.C.B TERMINAL				
MATERIAL			COLOR	
TIN PLATED BRASS				
SIZE	SCALE	UNIT	CHECK	
A4	2:1	mm	Z.C	