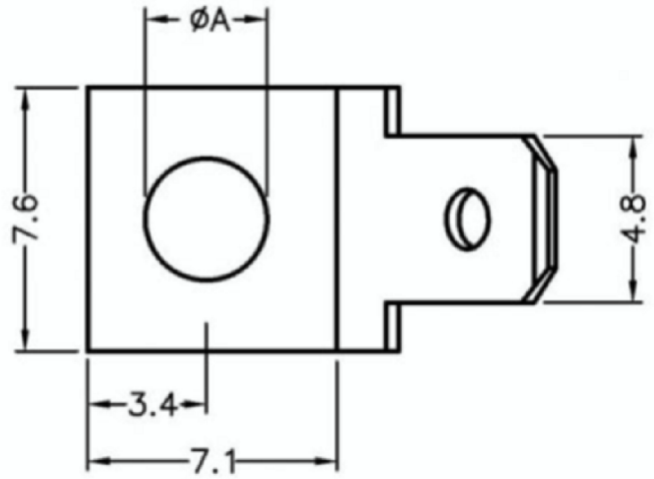
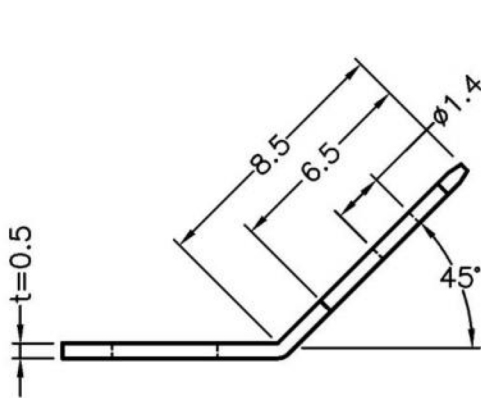
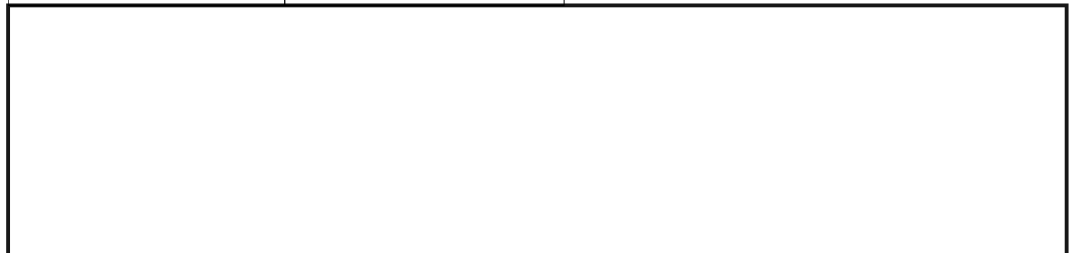


⚠ This dwg is for reference only, Actual dwg should be based on formal engineering dwg.



A
3.7

Part Number	Dimension A
PC1V-187	3.7
PC1V-18704	4.3
PC1V-18705	5.3



the **vital**
component

PART NUMBER		PC1V187	SPEC. DWG.		
TITLE		P.C.B TERMINAL			
MATERIAL		TIN PLATED BRASS	COLOR		
SIZE	A4	SCALE	2:1	UNIT	mm
CHECK			Z.C		