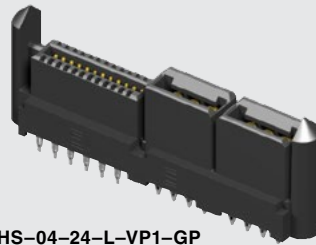
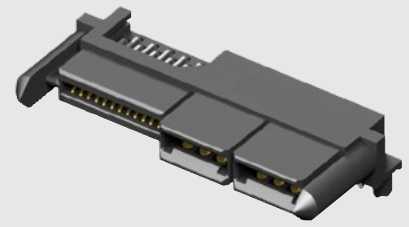




**POWER™ EXTreme  
STRIP LPH**



LPHS-04-24-L-VP1-GP



LPHS-04-24-L-RT1-GP

(12.00 mm) .472" (PWR) (1.27 mm) .050" (SIG)

**LPHS SERIES**

# EXTreme LPHPower™ SOCKET ASSEMBLY

Mates with:

LPHT

## SPECIFICATIONS

**Insulator Material:**

Black LCP

**Terminal Material:**

Signal: Brass

Power: Copper Alloy

**Plating:**

Au or Sn over

50 μ" (1.27 μm) Ni

**Current Rating:**

Power: 30 A per power blade

(4 blades powered)

Signal: 1 A per signal contact

**Operating Temp Range:**

-40 °C to +105 °C

**Voltage Rating:** 250 VAC

**Standard Creepage:**

(2.86 mm) .113"

(with -VP1 power)

(5.63 mm) .222"

(with -RTX power)

**Standard Clearance:**

(2.69 mm) .105"

(with -VP1 power)

(1.36 mm) .054"

(with -RTX power)

**RoHS Compliant:** Yes

## PROCESSING

**Lead-Free Solderable:** Yes

(-RT1 & -RT2 option)

## RECOGNITIONS



FILE NO. E11594

## ALSO AVAILABLE (MOQ Required)

- Other platings
- 28 Signal positions
- No Guide post

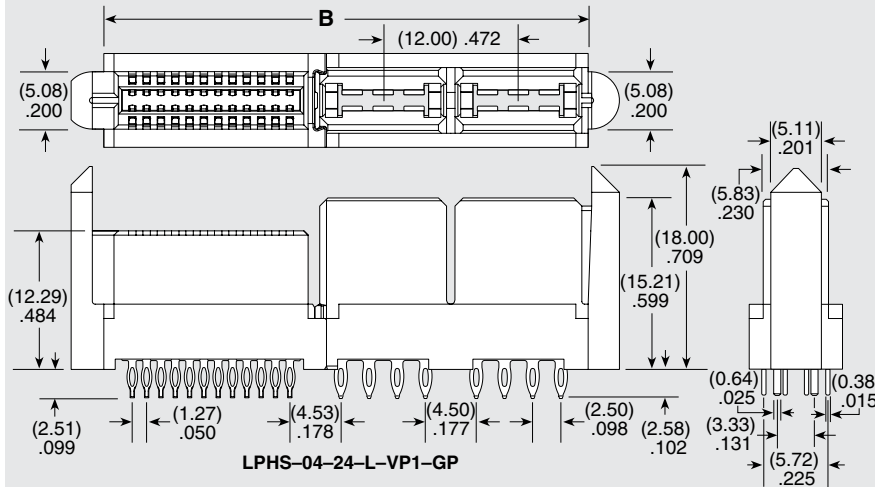
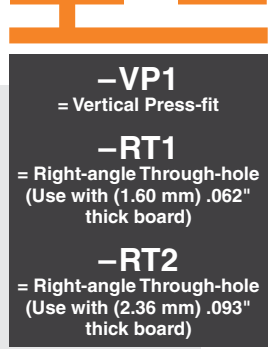
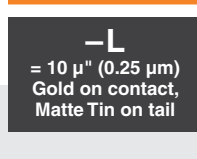
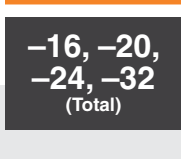
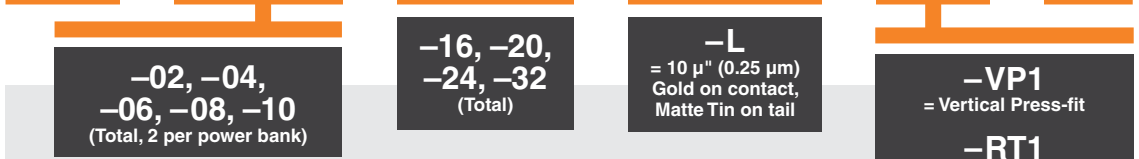
**Notes:**

Series is rated up to 60 A per power bank.

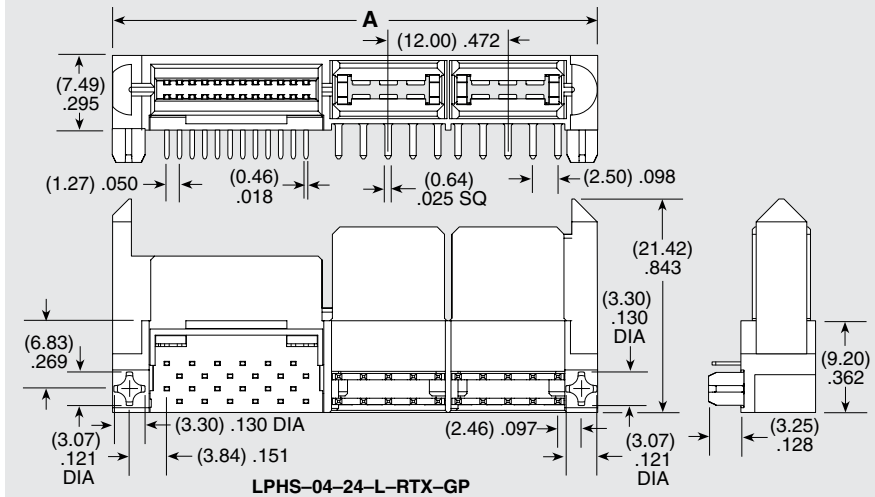
Some lengths, styles and options are non-standard, non-returnable.

The Molex EXTreme LPHPower™ line is a second source to the Samtec LPHS Series

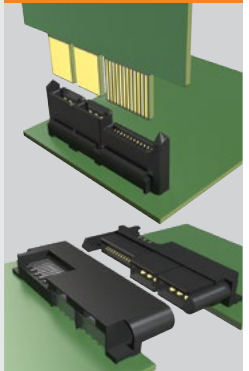
\* EXTreme LPHPower™ is a trademark of Molex Incorporated.



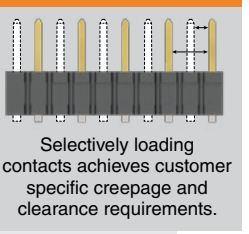
SIGNAL POSITIONS	POWER POSITIONS									
	A (-02)	B (-02)	A (-04)	B (-04)	A (-06)	B (-06)	A (-08)	B (-08)	A (-10)	B (-10)
-16	(31.64) 1.918	(25.88) 1.019	(43.64) 1.718	(37.88) 1.491	(55.64) 2.191	(49.88) 1.964	(67.64) 2.633	(61.88) 2.436	(79.64) 3.135	(73.88) 2.909
-20	(34.18) 1.346	(28.42) 1.119	(46.18) 1.818	(40.42) 1.591	(58.18) 2.291	(52.42) 2.064	(70.18) 2.763	(64.42) 2.536	(82.18) 3.235	(76.42) 3.009
-24	(36.72) 1.446	(30.96) 1.219	(48.72) 1.918	(42.96) 1.691	(60.72) 2.391	(54.96) 2.164	(72.72) 2.863	(66.96) 2.636	(84.72) 3.335	(78.96) 3.109
-32	(41.80) 1.646	(36.04) 1.419	(53.80) 2.118	(48.04) 1.891	(65.80) 2.591	(60.04) 2.364	(78.00) 3.063	(72.04) 2.836	(89.80) 3.535	(84.04) 3.309



## APPLICATION



## CREEPAGE AND CLEARANCE



Due to technical progress, all designs, specifications and components are subject to change without notice.

[WWW.TOBY.CO.UK](http://WWW.TOBY.CO.UK)

All parts within this catalog are built to Samtec's specifications. Customer specific requirements must be approved by Samtec and identified in a Samtec customer-specific drawing to apply.